

[rexresearch.com](http://rexresearch.com)

---

## Torsion Field Patents

[ [Return to Torsion Fields Index](#) ]

---

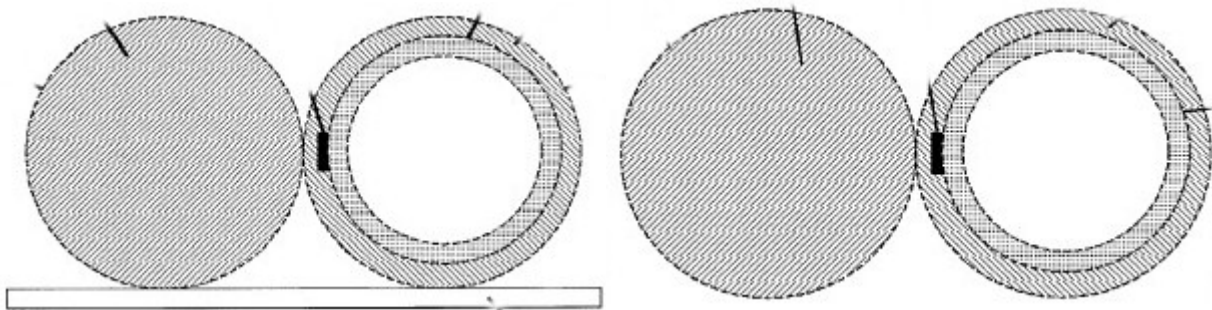
**USP # 6548752**

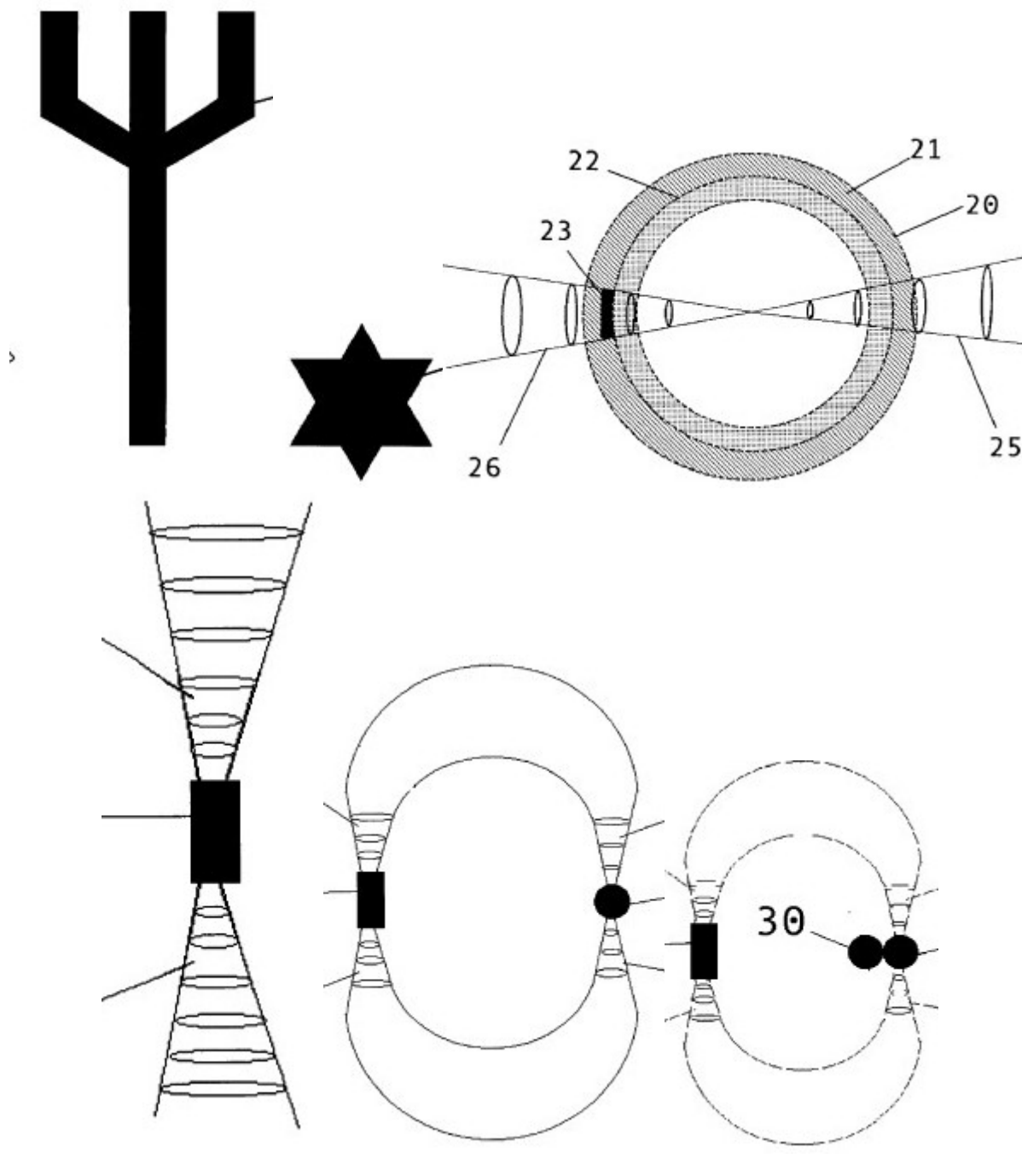
**System and Method for Generating a Torsion Field**

**Anatoly PAVLENKO, *et al.***

**April 15, 2003**

**Abstract** -- A device for generating a torsion field having a salt solution disposed in a first chamber, a torsion field generator for producing a right torsion field, and a magnetic element. The magnetic element rotates in response to a change in magnetic polarity. The torsion field generator is operably associated with the magnetic element. As a result, the torsion field generator is oriented in a predetermined association with respect to the earth's magnetic field. The first chamber and the torsion field generator are disposed such that a portion of the right torsion field propagates through the salt solution.





**WO8000293 // FR2421531**

**Apparatus for Amplifying Emissions Due to Shapes**

**Jacques RAVATIN**

**1979-10-26**

Classification: - international: A01G7/04; A61N1/16; H05F7/00; A01G7/04; A61N1/00; H05F7/00; (IPC1-7): H05C3/00; - European: A61N1/16

Also published as: WO8000293 (A1) // EP0016079 (A1) // EP0016079 (A0)

**Abstract** --- The apparatus comprises a polygonal frame with sixteen sides (1 to 16), this frame being associated with four electrodes (19 to 22) allowing to generate inside the frame a very high electric field. After a starting time of about half an hour, effects on certain physical parameters considered to be invaluable for a given location occur within a radius of several tens of meters around the apparatus: action on the earth magnetic field, the gravitation, the air refraction index, the speed of plant growth, etc..

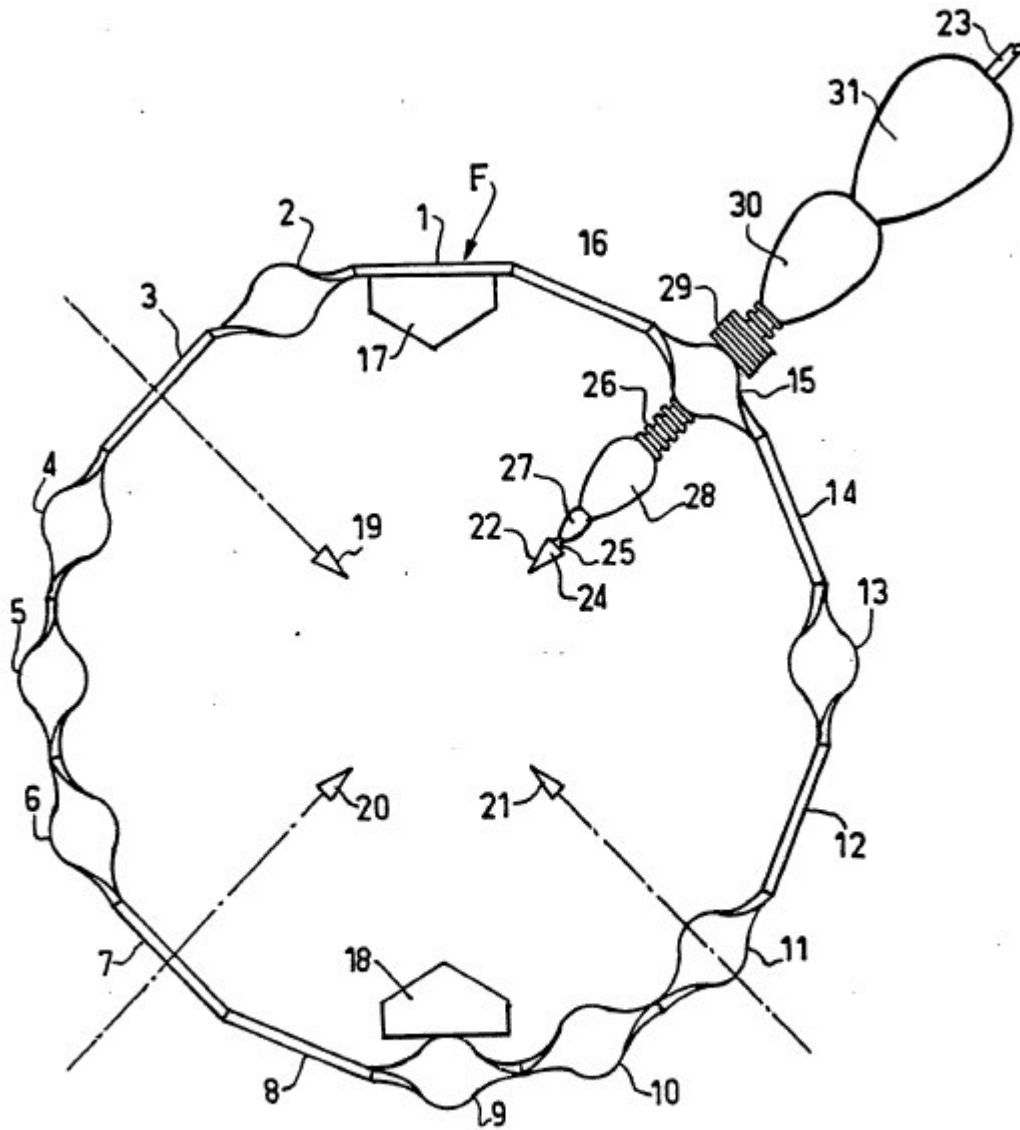
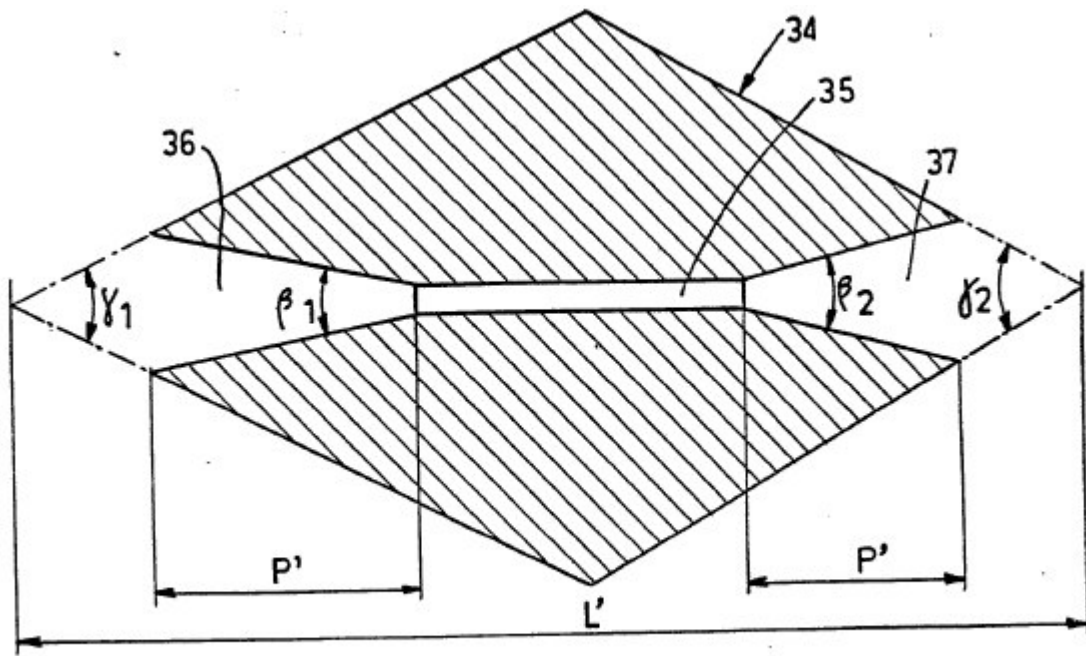
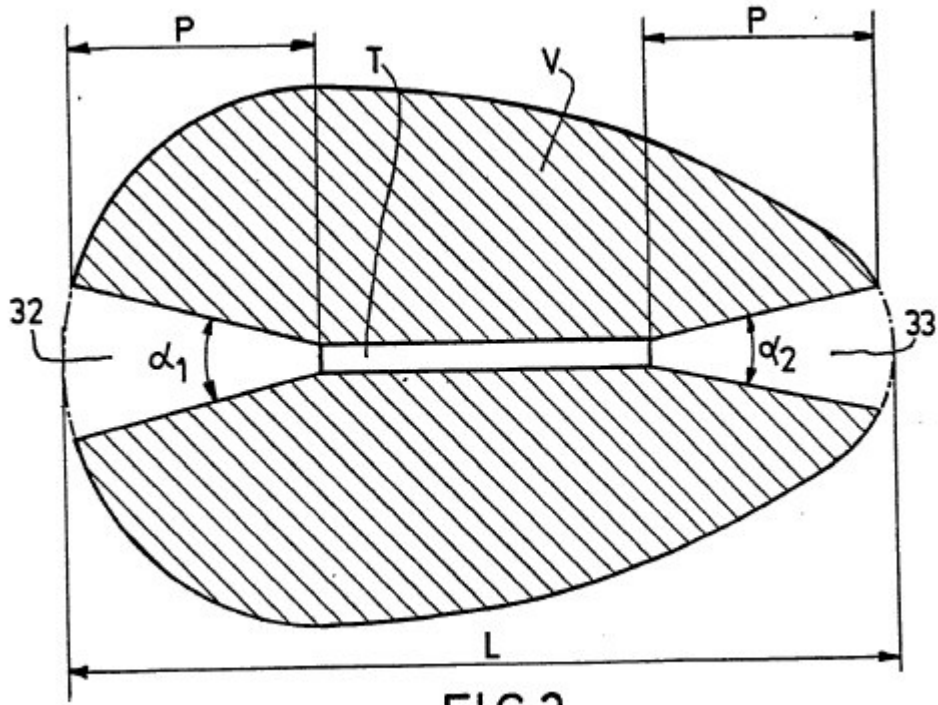


FIG.1



BUREAU  
OMPI

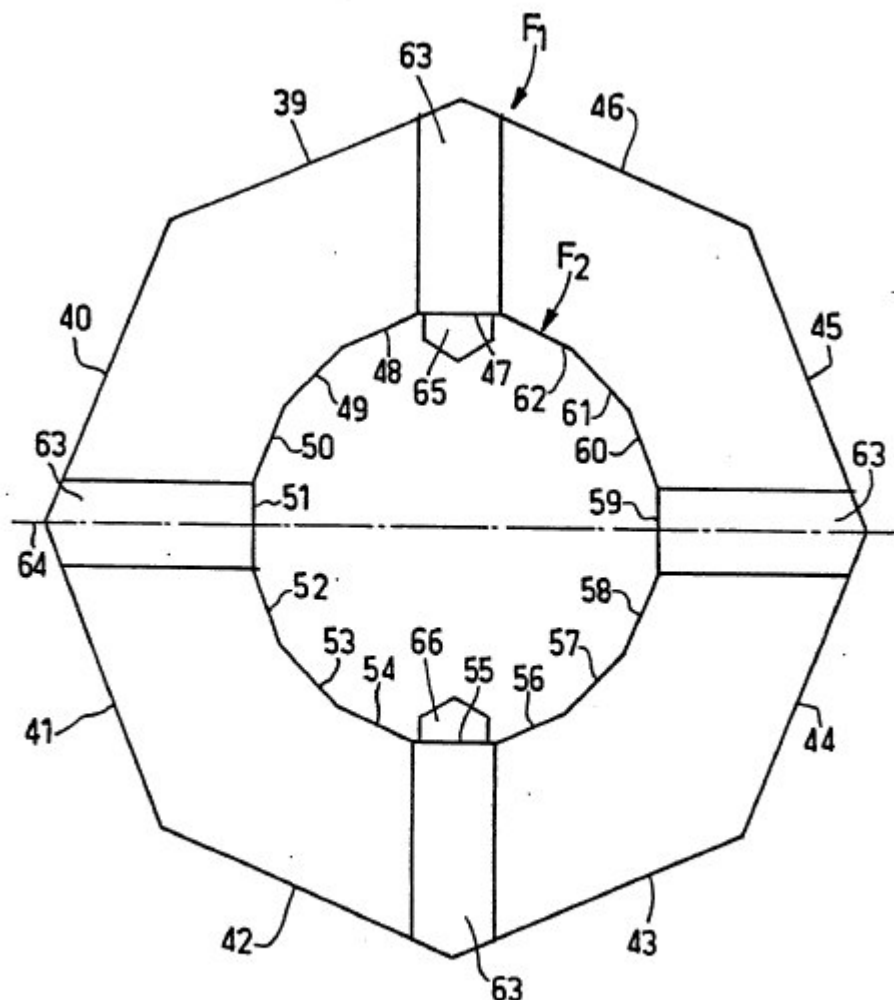


FIG. 4

DE3320518

Device for Changing Radiesthetically Measurable Fields

Paul SCHWEITZER

1984-12-13

Classification: - international: A61N1/16; A61N1/00; (IPC1-7): A61N1/16; - European: A61N1/16

**Abstract** -- The invention relates to a device for changing radiesthetically measurable fields with the object of avoiding the pathogenic effects of their biologically active regions, the so-called irritant zones. These fields are mainly caused by underground water veins. However, they are also found in space lattice-like structures, the so-called lattice systems incident from the atmosphere. All the measures and devices known to date for attenuating or eliminating the effect of the irritant zones have shortcomings or disadvantages. As a rule, they are ineffective with regard to the particularly dangerous crossing region of the irritant zones, or they detect only individual frequencies and must be adjusted with the risk of inefficacy due to maladjustment. The invention is based on the object of creating a device for changing radiesthetically measurable fields which avoids the aforesaid disadvantages. This object is achieved using a pyramidal body in that one or more elements, e.g. another pyramidal body, or an element which is resonant in the microwave range, e.g. a spiral, or a

homeopathic preparation, is arranged within or directly underneath this body.

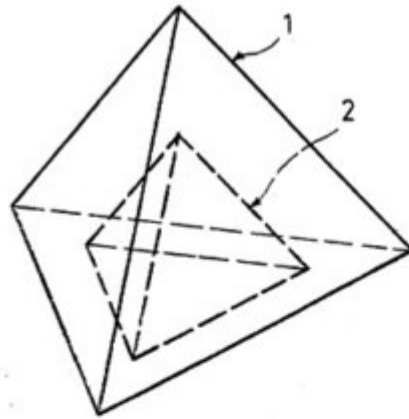


FIG. 1

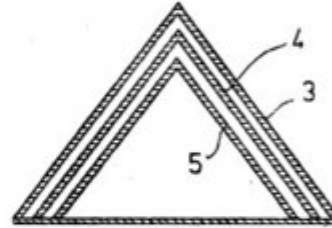


FIG. 2

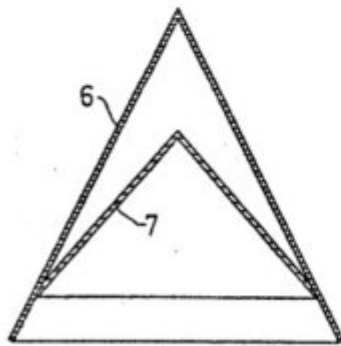


FIG. 3

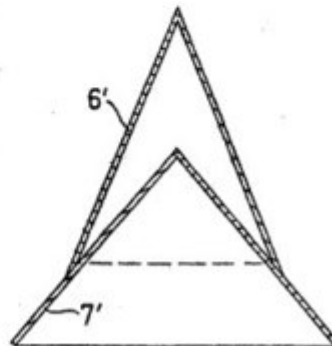
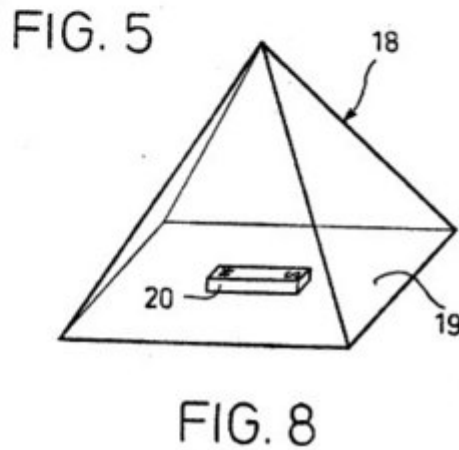
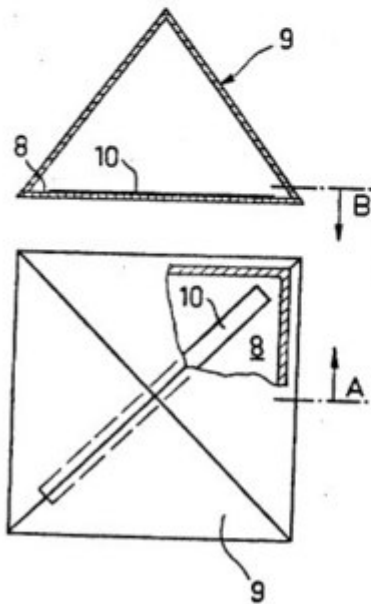
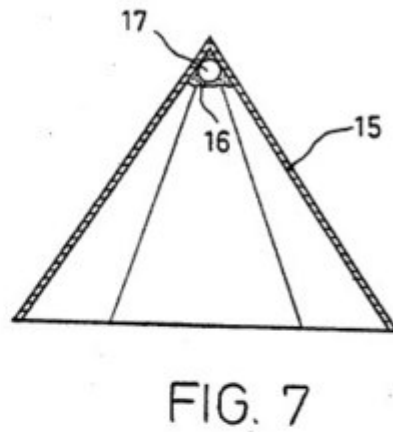
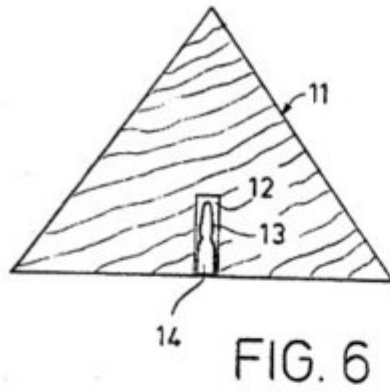


FIG. 4



SU688107 // BR7501588 // FR2264406

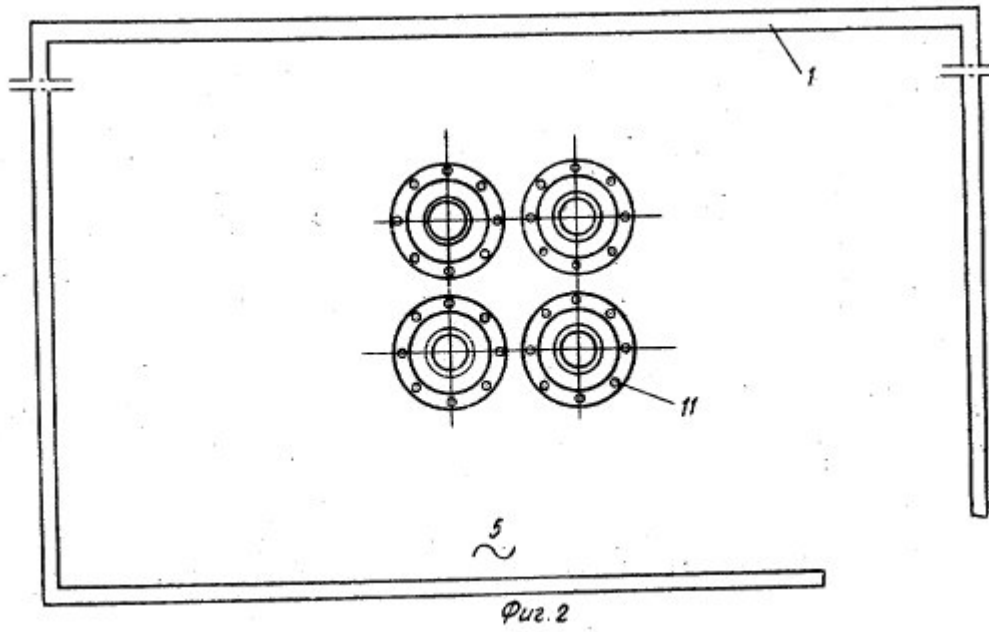
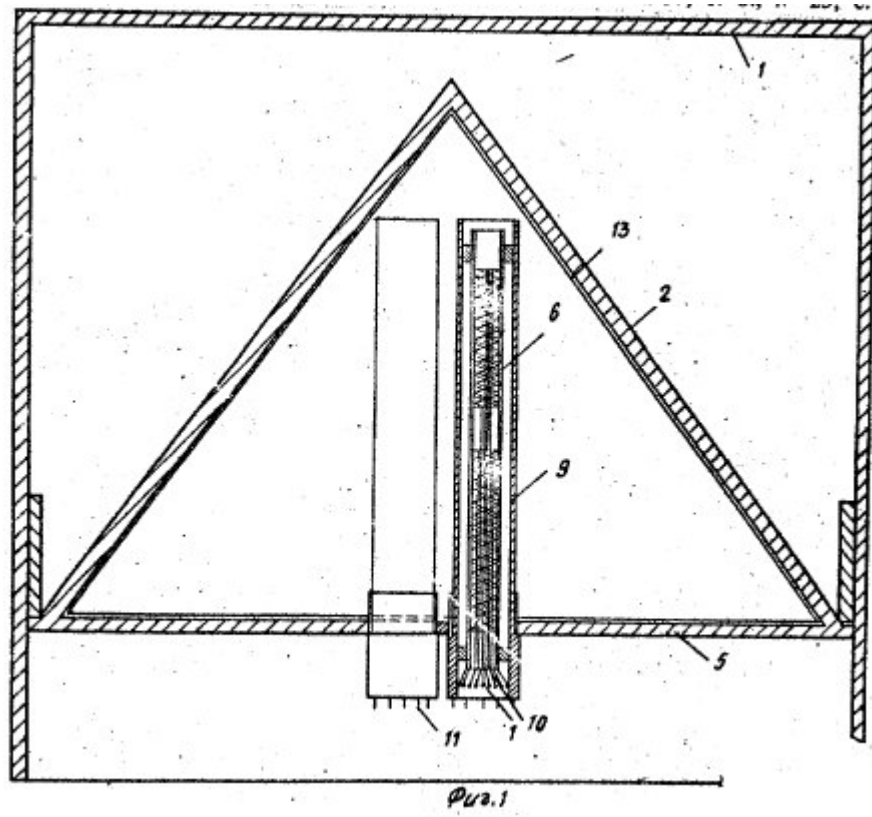
DEVICE FOR THE DETECTION MAGNETIC FIELDS OF BIOLOGICAL OBJECTS

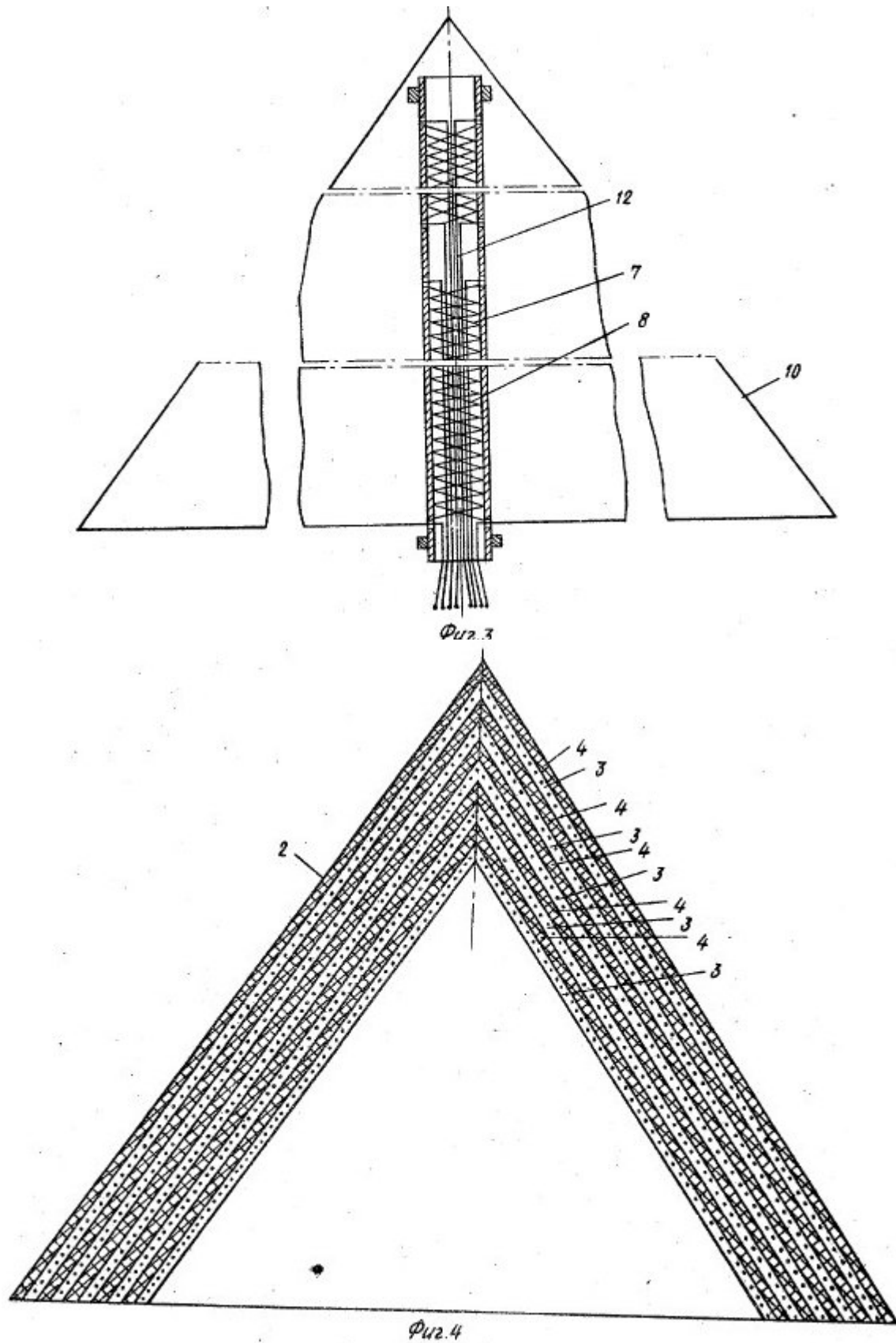
1979-09-25

Dzhuzeppe FANTUTSTSI

Classification: - international: A61B5/00; A61B5/04; A61B5/00; A61B5/04; (IPC1-7): A61B5/00



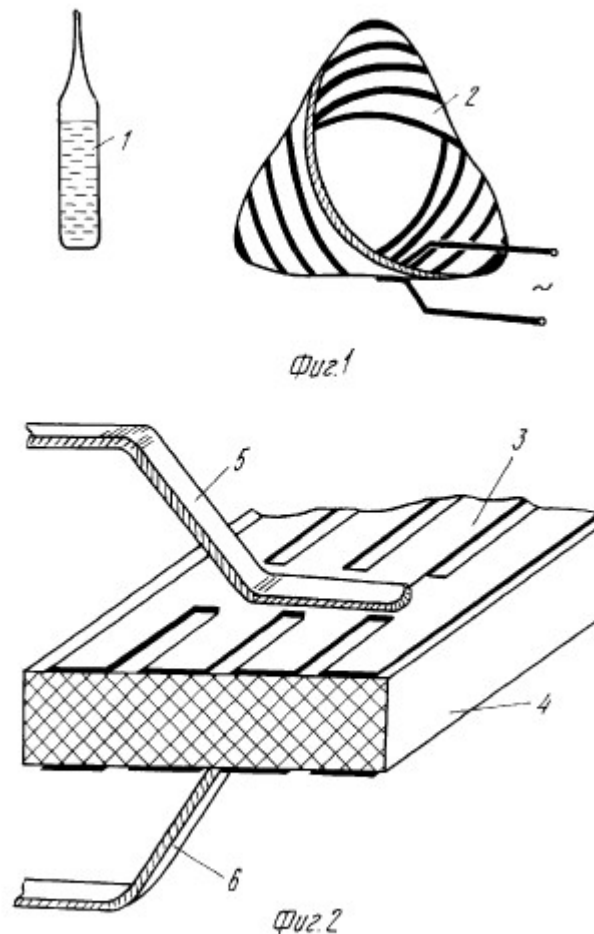




**WO0243203**  
**METHOD FOR OBTAINING MAGNETICALLY CHARGED ELEMENTARY**  
**PARTICLES...**  
**Leonid URUZKOEV & Ivan M. SHAKHPARONOV**

EC: G21K1/00 IPC: G21K1/00; G21K1/00; (IPC1-7): H01S4/00 (+3)  
2002-05-30

**Abstract --** The invention relates to physicochemical processing and can be used in various fields of human activity, in particular for nuclear physics research. The invention is characterized by a physicochemical processing method which consists in the following: chemical elements and/or the composition thereof, substances, materials, biological tissues and organisms are continuously (by direct current) and/or impulsively (by periodical pulses) exposed during a preset time to the effects of a catalyst impact e.g. elementary magnetically charged particles. [ w/ a Moebius band ]



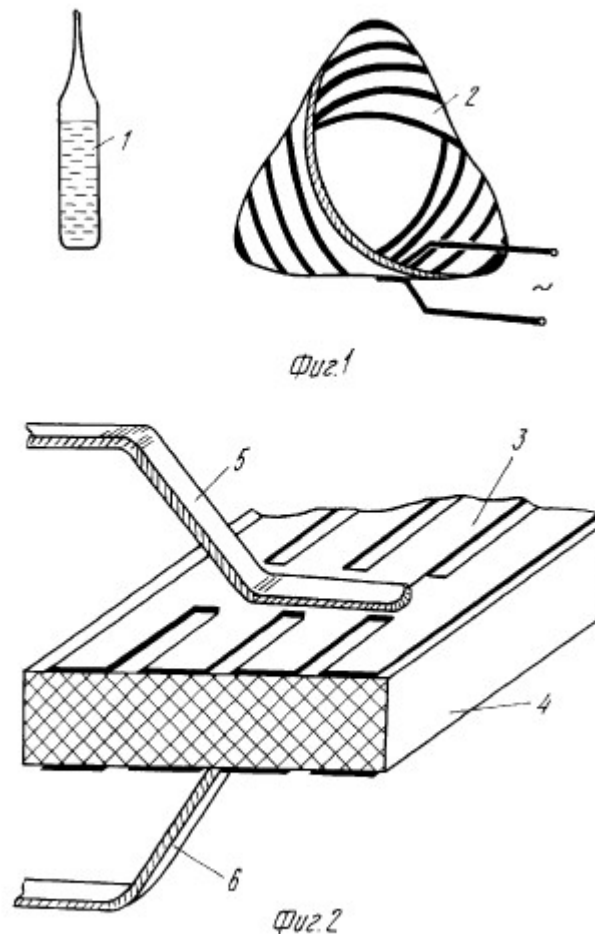
**RU2061266**

**METHOD FOR DECONTAMINATION OF RADIOACTIVE MATERIALS**

**Ivan M. SHAKHPARONOV**

EC: IPC: G21F9/00; G21F9/00; (IPC1-7): G21F9/00

1996-05-27



**RU2123736**

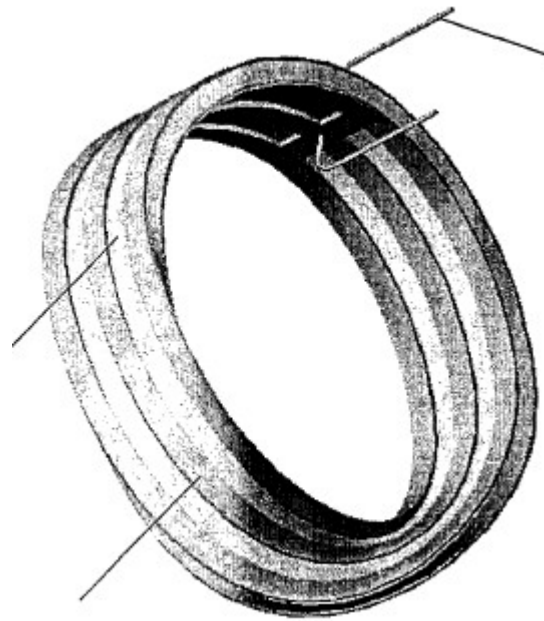
**NONMAGNETIC MATERIAL MAGNETIZING TECHNIQUE**

**Ivan M. SHAKHPARONOV**

EC: IPC: H01F13/00; C02F1/48; C02F103/02 (+4)

1998-12-20

**Abstract** -- FIELD: electrical engineering, medicine, building engineering. SUBSTANCE: material is irradiated by external magnetic field source made in the form of set of current-conducting strips placed on insulating substrate folded in the form of Möbius band. Conducting strips are provided with output terminals. Magnetizing time is inversely proportional to product of magnetizing material thickness by specific weight. EFFECT: facilitated procedure.



**RU2055499**

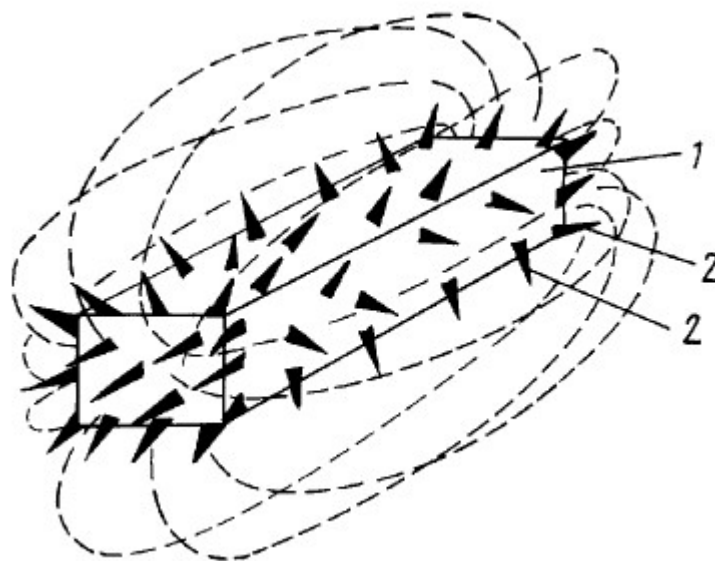
**HEALTH-IMPROVING MAGNET APPARATUS**

**Ivan M. SHAKHPARONOV**

EC: IPC: A44C15/00; A61N2/00; A44C15/00 (+3)

1996-03-10

Abstract -- Apparatus comprises a permanent magnet enclosed into a capsule of nonmagnetic material. External surface of magnet has pointed members of a magnet-permeable material oriented along the magnetic field of permanent magnet. The magnetic component of the bioenergetic field of natural and technogenic origin interacts with magnetic fields of apparatus. The pointed members on the external surface of the magnet induce high local intensity of both magnetic and electrical fields, thus breaking and destroying the external autowave 'harmful' to man.





**Your Support Maintains this Service --**

**BUY**

**The Rex Research Civilization Kit**

**... It's Your Best Bet & Investment in Sustainable Humanity on Earth ...**

**Ensure & Enhance Your Survival & Genome Transmission ...**

**Everything @ [rexresearch.com](http://rexresearch.com) on a Thumb Drive or Download !**

**[ORDER PAGE](#)**

---