



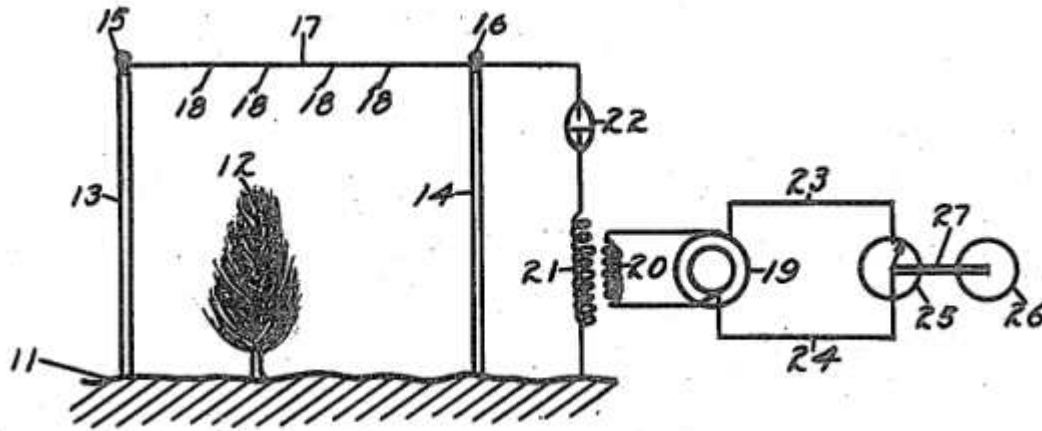
[rexresearch.com](http://rexresearch.com)

---

## ElectroCulture Patents ( #2 )

---

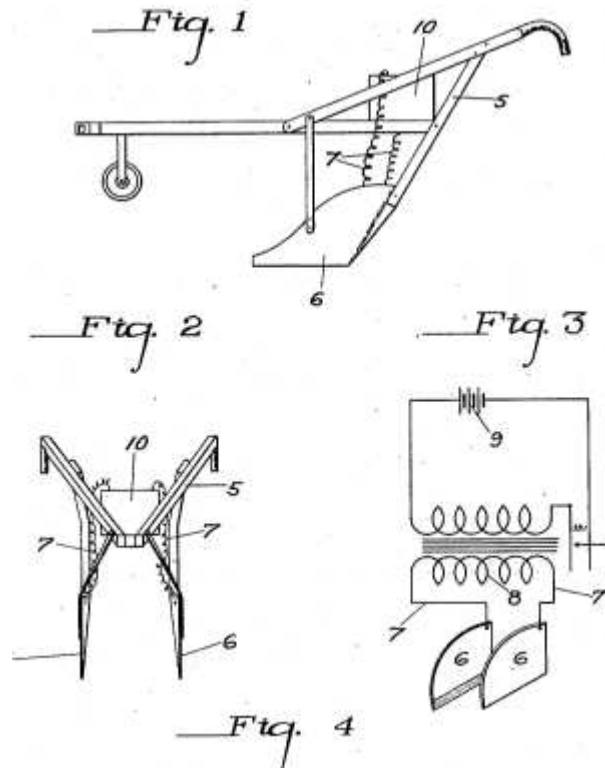
### USP # 1,131,261 Means for Treating Plants



H.H. Hornsby  
2-17-1920

---

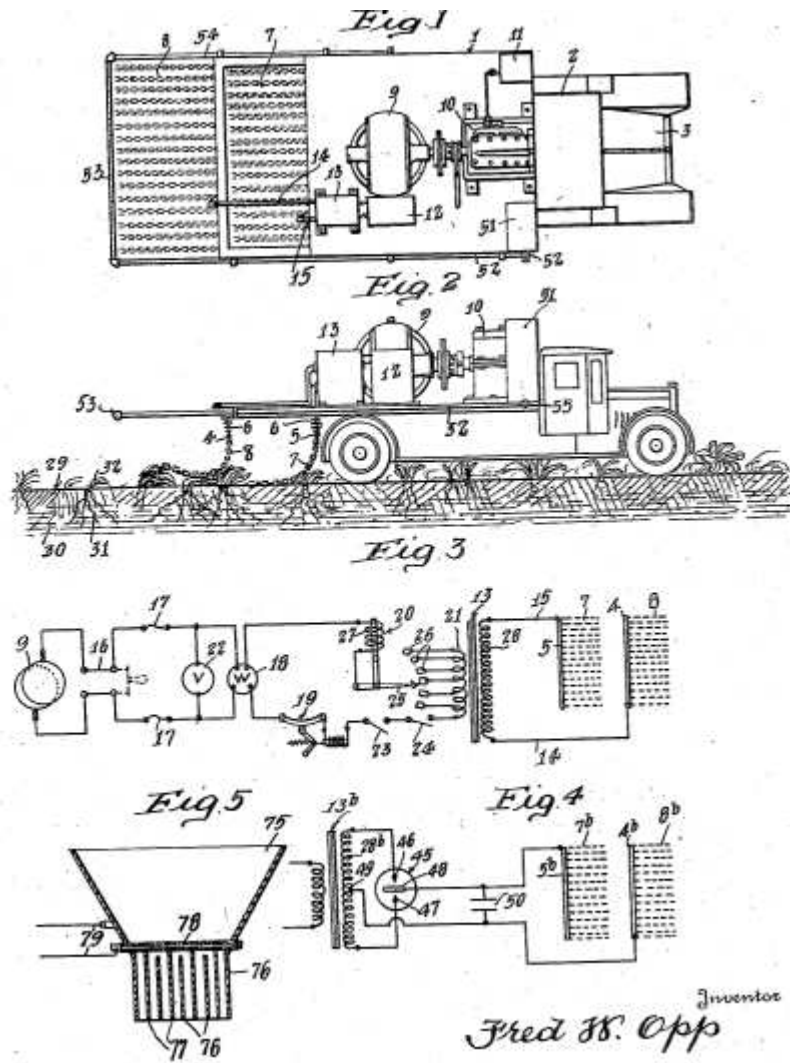
### USP # 1,737,866 Method of and apparatus for the practice of agriculture



Inventor: ROE HAMILTON  
1929-12-03

---

**USP # 2,007,383**  
**Apparatus for and method of electrically treating soil**



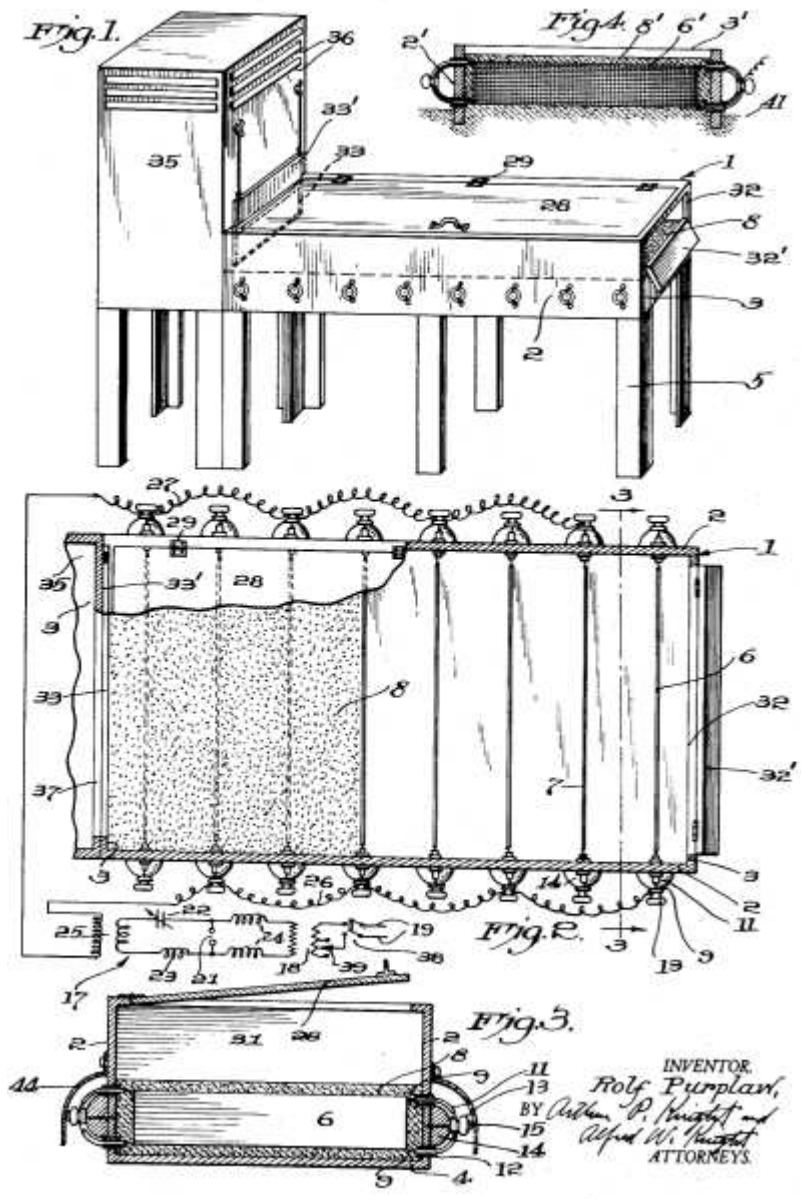
Inventor  
Fred H. Opp

Inventor: OPP FRED  
1935-07-09

USP # 1,331,808  
Agricultural implement

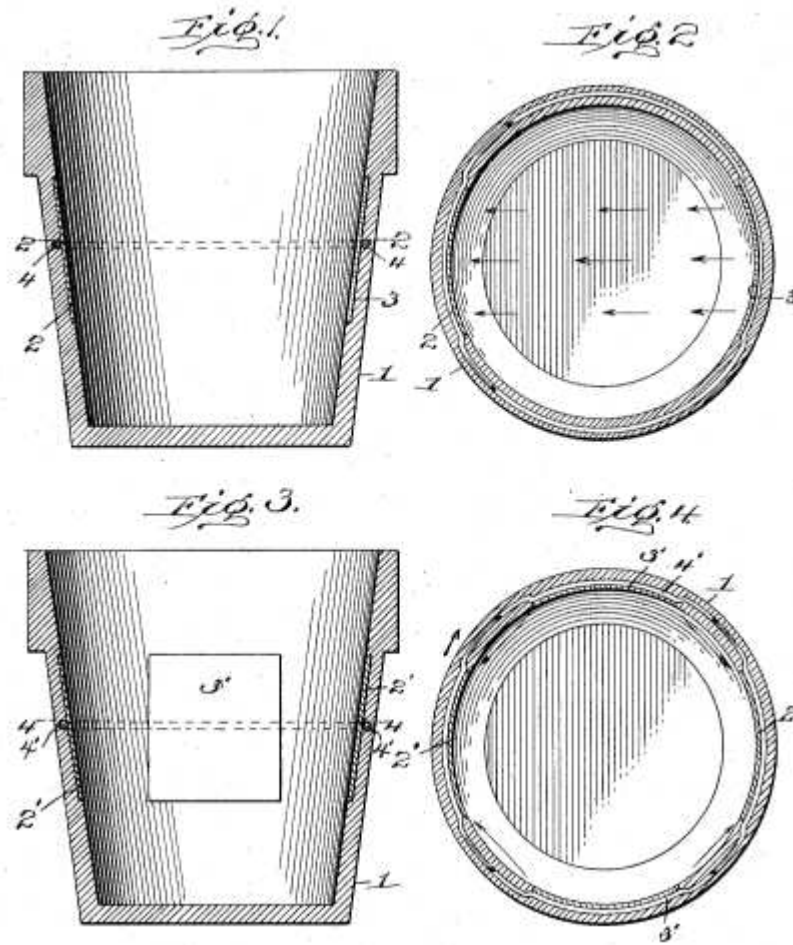
Inventor: DOUGHERTY EDWARD  
2-24-1920

USP # 1,874,207  
Plant bed



Inventor: ROLF PURPLAW  
1932-08-30

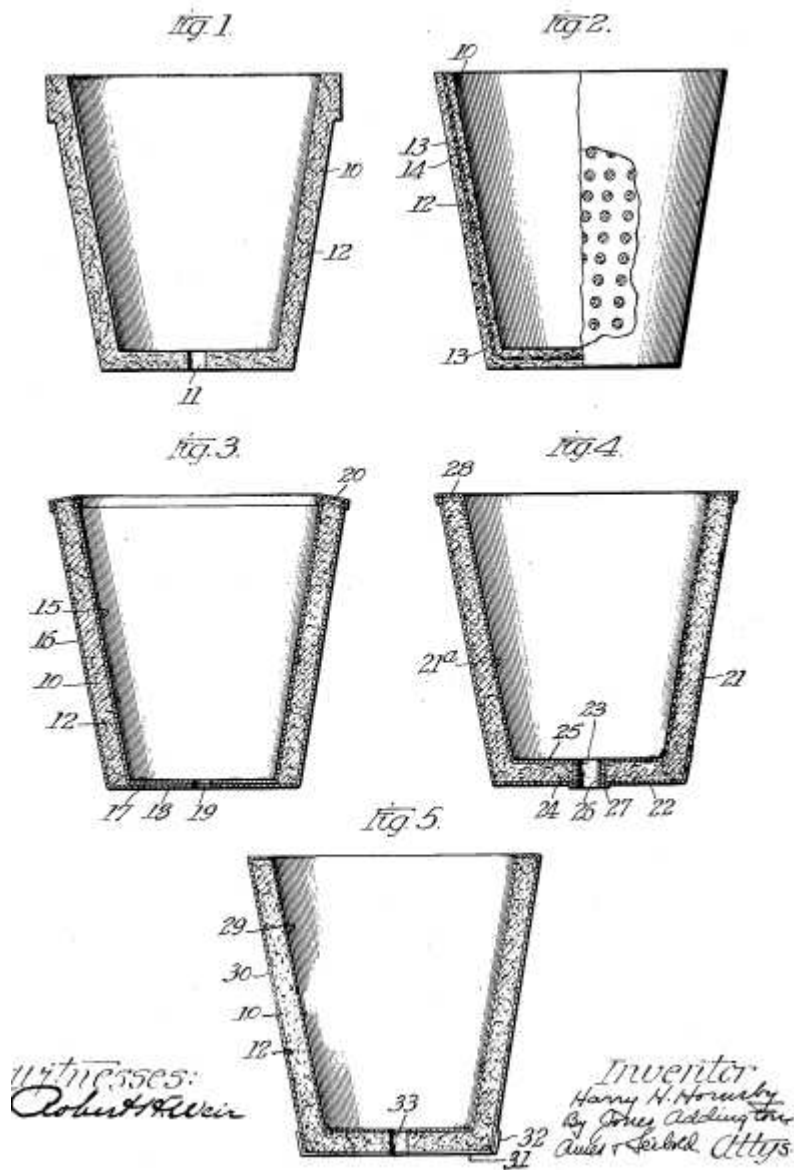
**USP # 882,699**  
**Electrical Receptacle for Plants**



H.S. Lathlaw  
3-24-1908

---

**USP # 1,331,261**  
**Means for treating plants**



Witnesses:  
*Robert A. Weir*

Inventor  
*Harry N. Hornsby*  
 By *James A. Adkins*  
*Atty.*

Inventor: HORNSBY HARRY  
 1920-02-17

**USP # 2,588,561**  
**Apparatus for electrically treating the soil**

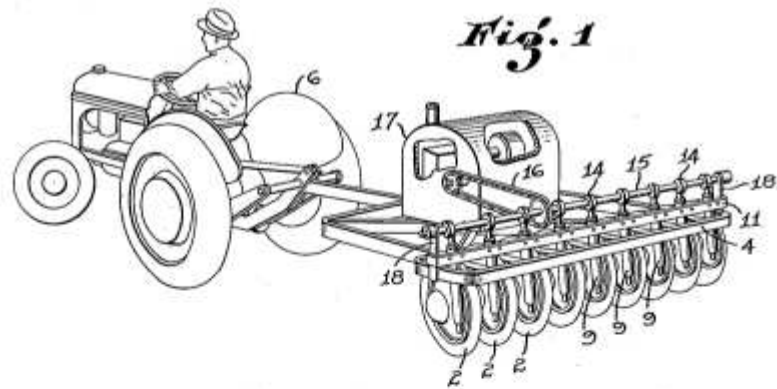


Fig. 1

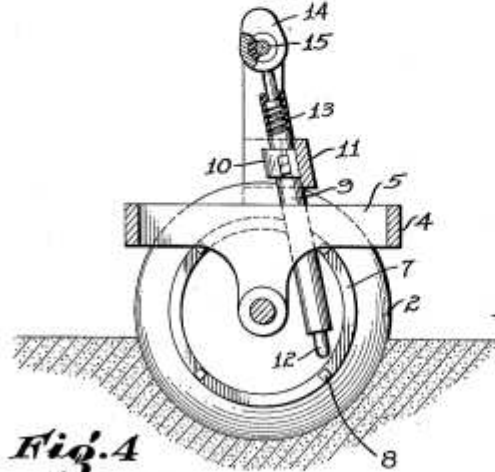


Fig. 2

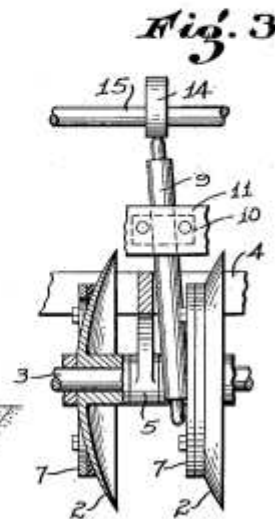


Fig. 3

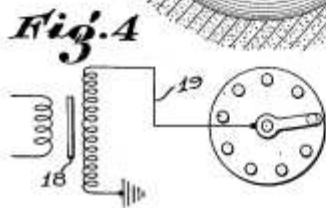


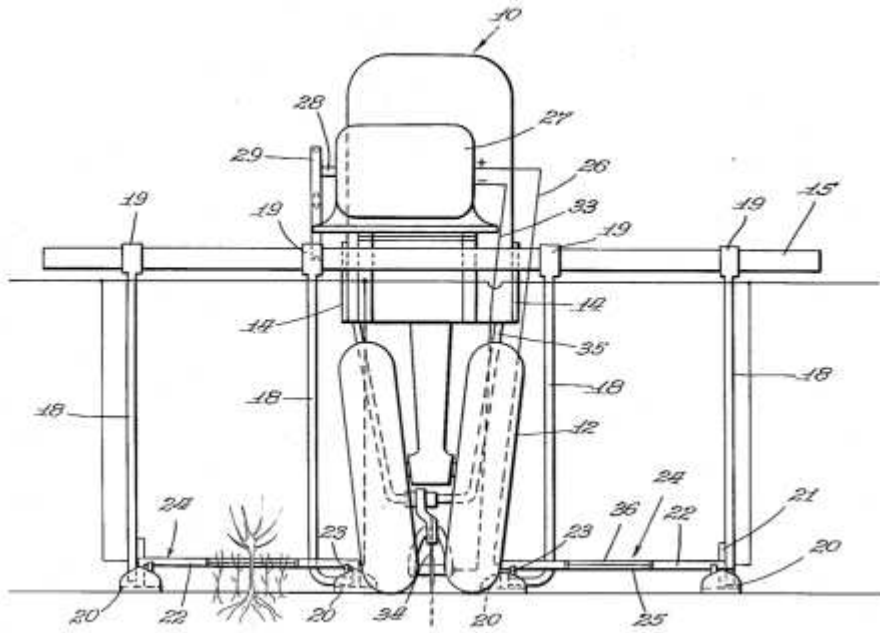
Fig. 4

INVENTOR.  
FRED W. OPP  
WALTER H. OPP

BY *Lyon & Lyon* ATTORNEYS.

Inventor: OPP FRED W ; OPP WALTER  
1952-03-11

USP # 2,682,729  
Electric weed killer



Inventor: POYNOR RUSSELL  
1954-07-06

---

**USP # 2,876,586**  
**Attachment for an agricultural implement**

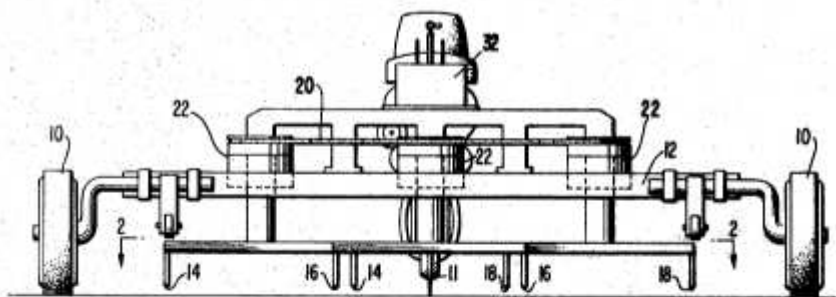
Inventor: RUSSELL TOPEL  
1959-03-10

---

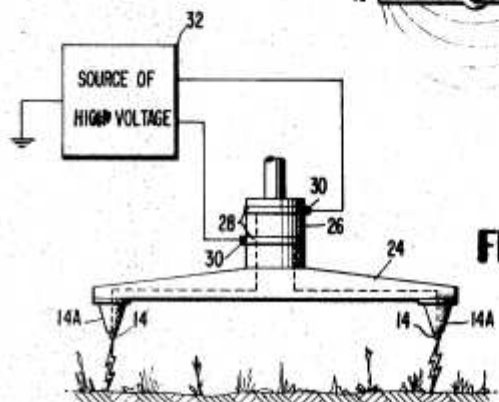
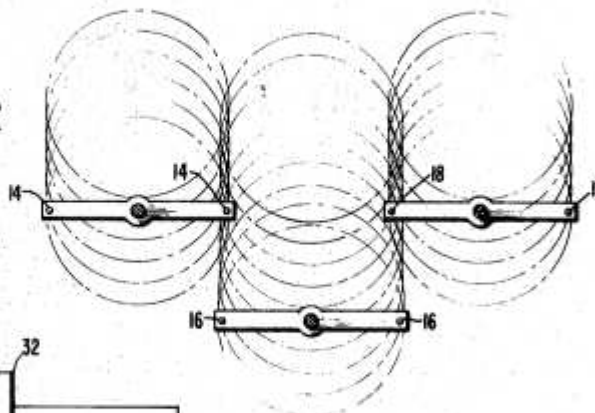
**USP # 3,559,337**  
**APPARATUS FOR ELECTROCULTURE**



**FIG. 1**



**FIG. 2**

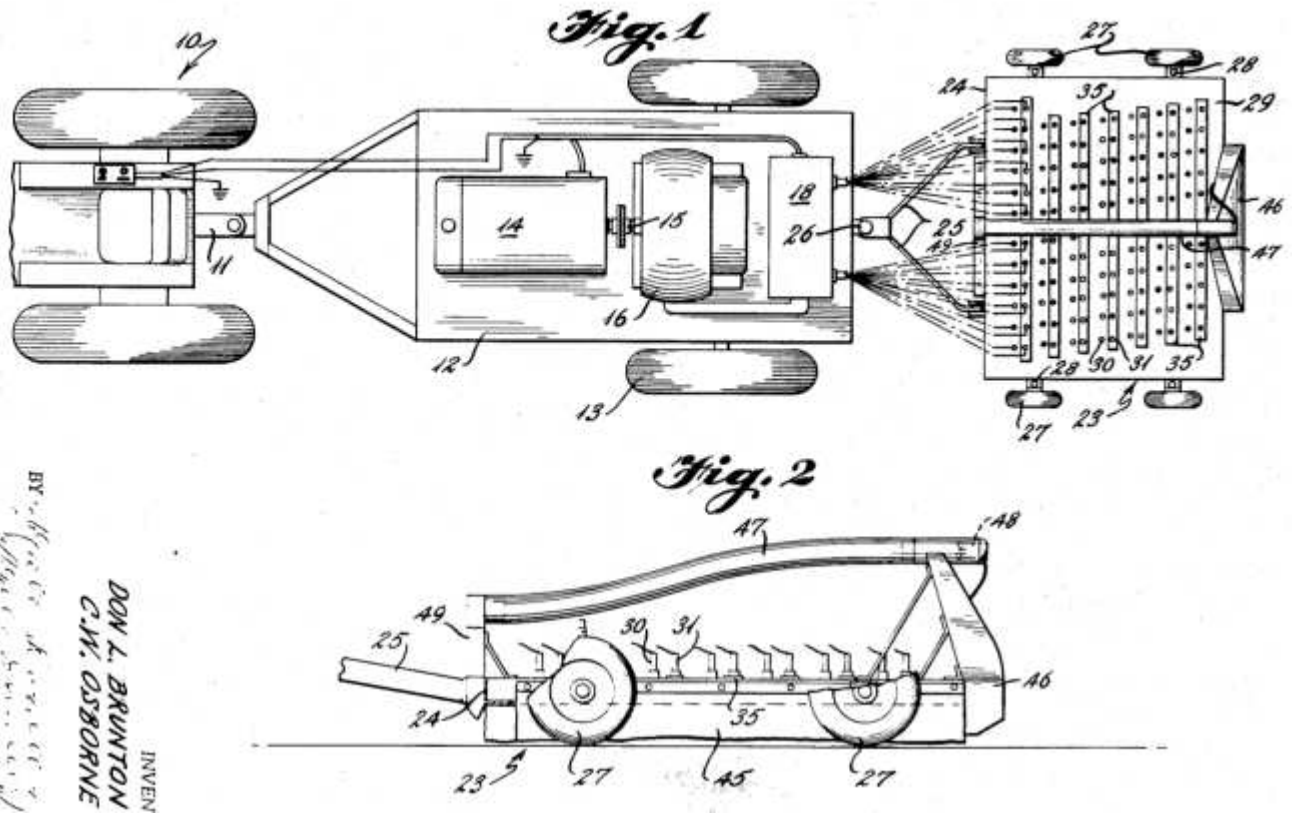


**FIG. 3**

INVENTORS

Inventor: MARCOUX VERNON F J ; WOLF STANLEY  
1971-02-02

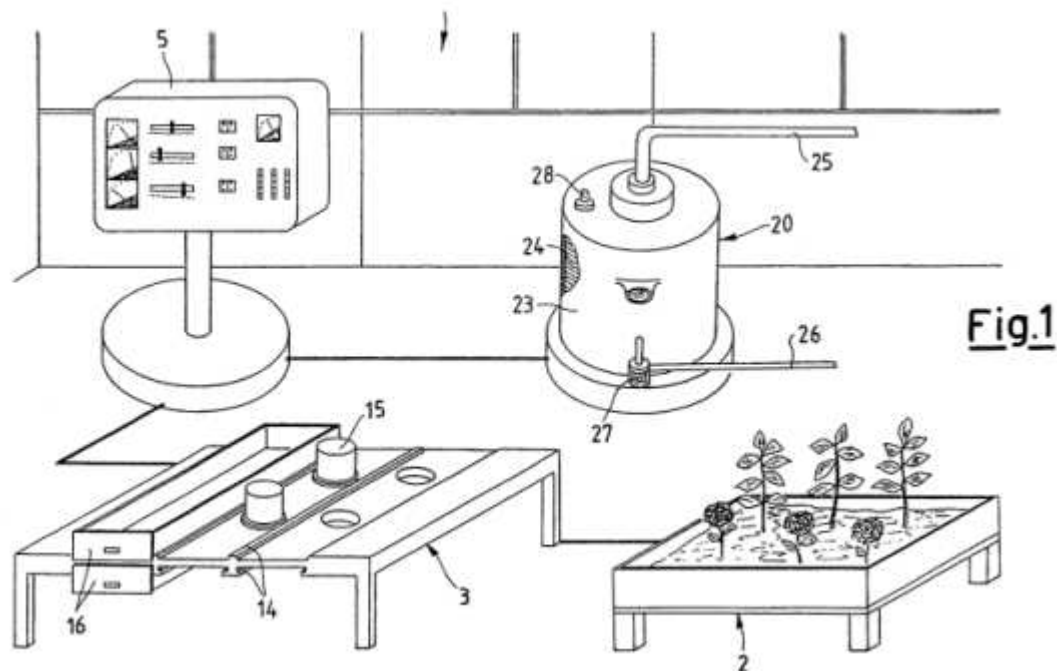
**USP # 3,623,265  
METHOD OF FIXING NITROGEN IN THE ATMOSPHERE AND THE SOIL**



Inventor: BRUNTON DON L ; OSBORNE CHARLES  
 1971-11-30

**EP # 04 59,540**  
**Method and equipment for accelerating the growth of, and developing better vital qualities in, vegetable organisms**

Inventor: CECARANI FRANCO  
 1991-12-04

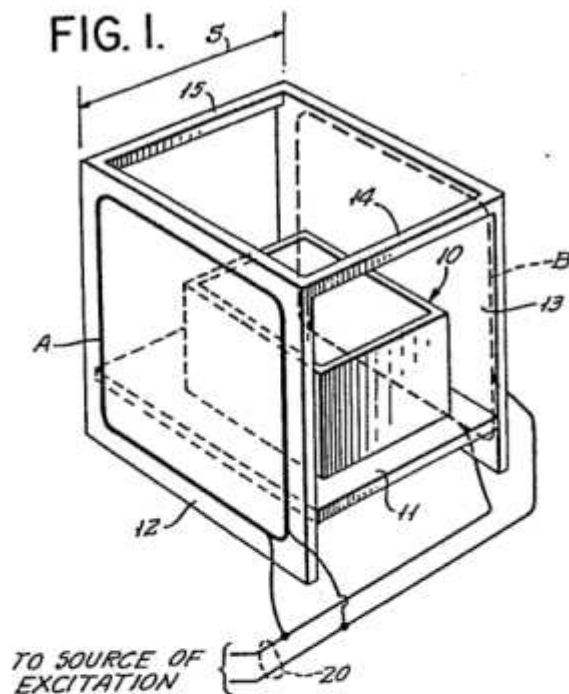


**Abstract** -- For accelerating the growth of, and develop better vital qualities in, vegetable organisms, these latter are submitted to the action of a magnetic field. According to the method, a polarized pulsating electromagnetic field is caused to act according to different extents, generally correlated with one another, onto the cultivation earth, the seeds, the plants and the irrigation water. The equipment essentially comprises solenoids subjected to pulsating currents and arranged within units (2) for the treatment of earth and of plants, units (20) for the treatment of water, and units (3) for the treatment of seeds.

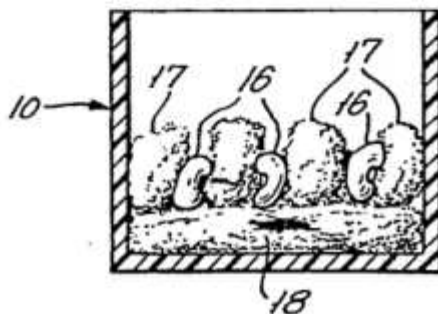
**EP # 00 39,163**

**Method and means for electromagnetic stimulation of a vegetative process**

Inventor: PILLA ARTHUR  
1981-11-04



**FIG. 2.**



**Abstract** -- The invention contemplates method and apparatus for altering the growth behavior of living plant cells by inducing voltage and concomitant current pulses of specific time-frequency-amplitude relations therewithin.

**DE # 3,613,891**

**VERFAHREN ZUR HERSTELLUNG VON MAGNETISIERTEM SAMEN**

Inventor: SCHIMAZAKI FUJIO  
1987-10-29

**RU # 2,095,966**

**METHOD FOR PROMOTING WOODY PLANT GROWTH**

Inventor: TISHCHENKO VALERYAN

1997-11-20

**Abstract** -- Method involves exposing tree trunk and/or skeletogenous branches to magnetic field created by mixture of ferromagnetic powder and plastic substance. Powder content is 30-50% by weight. Effect: Increased efficiency in promoting plant growth and simplified method.

---



**Your Support Maintains this Service --**

**BUY**

**The Rex Research Civilization Kit**

**... It's Your Best Bet & Investment in Sustainable Humanity on Earth ...  
Ensure & Enhance Your Survival & Genome Transmission ...  
Everything @ [rexresearch.com](http://rexresearch.com) on a Thumb Drive or Download !**

**[ORDER PAGE](#)**

---