



rexresearch.com

Wilhelm REICH Cosmic Orgone Engineering (CORE)

"Our Darling"
Dr Wilhelm Reich



http://en.wikipedia.org/wiki/Wilhelm_Reich

[Excerpts]

Wilhelm Reich

Born March 24, 1897(1897-03-24)
Dobrzanica, Galicia
Died November 3, 1957 (aged 60)

Wilhelm Reich (March 24, 1897 – November 3, 1957) was an Austrian-American psychiatrist and psychoanalyst, known as one of the most radical figures in the history of psychiatry.[1] He was the author of several notable textbooks, including *The Mass Psychology of Fascism and Character Analysis*, both published in 1933.

Reich worked with Sigmund Freud in the 1920s and was a respected analyst for much of his life, focusing on character structure rather than on individual neurotic symptoms.[2] He tried to reconcile Marxism and psychoanalysis, arguing that neurosis is rooted in the physical, sexual, economic, and social conditions of the patient, and promoted adolescent sexuality, open relationships outside marriage, the availability of contraceptives, abortion, and divorce, and the importance for women of economic independence. His work influenced a generation of intellectuals, including Saul Bellow, William Burroughs, Paul Edwards, Norman Mailer, and A. S. Neill, and shaped innovations such as Fritz Perls's Gestalt therapy, Alexander Lowen's bioenergetic analysis, and Arthur Janov's primal therapy.[3]

Later in life, he became a controversial figure who was both adored and condemned. He began to violate some of the key taboos of psychoanalysis, using touch during sessions, and treating patients in their underwear to improve their "orgastic potency." He said he had discovered a primordial cosmic energy, which he said others called God, and which he called "orgone." He built "orgone energy accumulators" that his patients sat inside to harness the reputed health benefits, leading to newspaper stories about "sex boxes" that cured cancer.[4]

Reich was living in Germany when Hitler came to power in January 1933. On March 2, the Nazi newspaper *Völkischer Beobachter* published an attack on one of Reich's pamphlets, *The Sexual Struggle of Youth*. [5] He left immediately for Vienna, then Scandinavia, moving to the United States in 1939. In 1947, following a series of articles about orgone in *The New Republic* and *Harper's*, [6] the Food and Drug Administration (FDA) obtained an injunction against the interstate sale of orgone accumulators. Charged with contempt for violating it, Reich conducted his own defense, which involved sending the judge all his books to read and arguing that a court was no place to decide matters of science. He was sentenced to two years in prison, and in August 1956, several tons of his publications were burned by the FDA, [7] arguably one of the worst examples of censorship in U.S. history. [2] He died in jail of heart failure just over a year later, days before he was due to apply for parole. [8]...

Vegetotherapy and the orgasm

Reich's home in Drammensveien near Olaf Kyrres plass at Frogner, Oslo. A blue plaque reads: "The physician and psychoanalyst WILHELM REICH (1897-1957) lived and worked here 1935–39. Developed character analysis and the body-oriented therapy."

Reich stayed in Norway for five years, working under the auspices of Professor Schjelderup of the Psychological Institute at the University of Oslo.

He first presented the principles of his vegetotherapy in a paper called "Psychic contact and vegetative current" in August 1934 at the 13th International Congress of Psychoanalysis at Lucerne, Switzerland, and went on to develop the technique between 1935 and 1940. Vegetotherapy involves the patient physically simulating the effects of certain emotions, in the hope of triggering them. Reich argued that the ability to feel sexual love depended on a physical ability to make love with what he called "orgastic potency." He tried to measure the male orgasm, noting that four distinct phases occurred physiologically: first, the psychosexual build-up or tension; second, the tumescence of the penis, with an accompanying charge, which Reich measured electrically; third, an electrical discharge at the moment of orgasm; and fourth, the relaxation of the penis. He believed the force that he measured was a distinct type of energy present in all life forms. [25]

He was a prolific writer for psychoanalytic journals in Europe. Originally, psychoanalysis was focused on the treatment of neurotic symptoms. Reich's Character Analysis was a major step in the development of what today would be called ego psychology. In Reich's view, a person's entire character, not only individual symptoms, could be looked at and treated as a neurotic phenomenon. The book also introduced Reich's theory of body armoring. He argued that unreleased psychosexual energy could produce actual physical blocks within muscles and organs, and that these act as a "body armor" preventing the release of the energy. An orgasm was one way to break through the armor. These ideas developed into a general theory of the importance of a healthy sex life to overall well-being, a theory compatible with Freud's views.

His idea was that the orgasm was not simply a device to aid recreation, but was the body's emotional energy regulator. The better the orgasm, the more energy was released, meaning that less was available to create neurotic states. Reich called the ability to release sufficient energy during orgasm "orgastic potency," something that very few individuals could achieve, he argued, because of society's sexual oppression. A man or woman without orgastic potency was in a constant state of tension, developing a body armor to keep it in. The outer rigidity and inner anxiety is the state of neurosis, leading to hate, sadism, greed, and at a political level, fascism and antisemitism.[24]

He agreed with Freud that sexual development was the origin of mental illness. They both believed that most psychological states were dictated by unconscious processes; that infant sexuality develops early but is repressed, and that this has important consequences for mental health. At that time a Marxist (see Freud-Maxism), Reich argued that the source of sexual repression was bourgeois morality and the socio-economic structures that produced it. As sexual repression was the cause of the neuroses, the best cure would be to have an active, guilt-free sex life. He argued that such a liberation could come about only through a morality not imposed by a repressive economic structure.[26] In 1928, he joined the Austrian Communist Party and founded the Socialist Association for Sexual Counseling and Research, which organized counseling centers for workers.

The bion experiments

From 1934-39, Reich conducted experiments looking at vegetative energy in the body, especially the Galvanic skin response, which became research into the origins of life. These he called the "Bion Experiments."

He examined protozoa, single-celled creatures with nuclei. He grew cultured vesicles using grass, sand, iron, and animal tissue, boiling them, and adding potassium and gelatin. Having heated the materials to incandescence with a heat-torch, he noted bright, glowing, blue vesicles, which, he said, could be cultured, and which gave off an observable radiant energy. He named the vesicles "bions" and believed they were a rudimentary form of life, halfway between life and non-life. When he poured the cooled mixture onto growth media, bacteria were born, he said, dismissing the idea that the bacteria were already present in the air or on other materials.[27]

T-bacilli

In 1936, Reich wrote that "[s]ince everything is antithetically arranged, there must be two different types of single-celled organisms: (a) life-destroying organisms or organisms that form through organic decay, (b) life-promoting organisms that form from inorganic material that comes to life." [28] This idea of spontaneous generation led him to believe he had found the cause of cancer. He called the life-destroying organisms "T-bacilli," with the T standing for Tod, German for death. He described in The Cancer Biopathy how he had found them in a culture of rotting cancerous tissue obtained from a local hospital. He wrote that T-bacilli were formed from the disintegration of protein; they were 0.2 to 0.5 micrometer in length, shaped like lancets, and when injected into mice, they caused inflammation and cancer. He concluded that, when orgone energy diminishes in cells through aging or injury, the cells undergo "bionous degeneration," or death. At some point, the deadly T-bacilli start to form in the cells. Death from cancer, he believed, was caused by an overwhelming growth of the T-bacilli.

Opposition to his ideas

Scientists in Oslo reacted strongly to his work on bions, deriding it as nonsense. Tidens Tegn, a leading liberal newspaper, launched a campaign against him in 1937, supported by scientists and other newspapers.[24] Between September 1937 and the fall of 1938, over 100 articles denouncing him appeared in the main Oslo newspapers.[33]

In 1937, Leiv Kreyberg, the country's top cancer specialist, was allowed to examine one of Reich's bion preparations under the microscope. Kreyberg wrote that the broth Reich had used as his culture medium was indeed sterile, but that the bacteria were ordinary staphylococci. He concluded that Reich's control measures to prevent infection from airborne bacteria were not as foolproof as Reich believed. Kreyberg accused Reich of being ignorant of basic bacteriological and anatomical facts, while Reich accused Kreyberg of having failed to recognize living cancer cells under magnification. Thus, Sharaf writes, an opportunity for scientific exchange degenerated into name-calling.[27]

Reich sent a sample of the bacteria to another Norwegian biologist, Professor Thjøtta of the Oslo Bacteriological Institute, who also said they resulted from air infection. Kreyberg and Thjøtta had their views published in *Aftenposten* on April 19 and 21, 1938, Kreyberg referring to him as "Mr. Reich," alleging that Reich knew less about bacteria and anatomy than a first-year medical student. When Reich requested a detailed control study, Kreyberg responded that his work did not merit it.[27]

Reich's *The Bion Experiments on the Origin of Life* was published in 1938, leading to attacks by the scientific and lay press that he was a "Jew pornographer," who was daring to meddle with the origins of life. Alan Cantwell writes that Reich's detractors focused on one paragraph in which Reich wrote that his research had "proved particularly fruitful for an understanding of cancer," which led to the claim that he was promoting a quack cancer cure.[25]

By February 1938, his visa had expired. Several Norwegian scientists argued against an extension, Kreyberg saying, "If it is a question of handing Dr. Reich over to the Gestapo, then I will fight that, but if one could get rid of him in a decent manner, that would be the best." The writer Sigurd Hoel wondered when it had become a crime to perform amateurish biological experiments. "When did it become a reason for deportation that one looked in a microscope when one was not a trained biologist?" Reich received influential support from overseas, first from Bronislaw Malinowski, who wrote to the Norwegian press in March 1938 that Reich's sociological work was a "distinct and valuable contribution to science," and from A.S. Neill, founder of Summerhill in England, a progressive school known throughout the world. Neill also wrote to the Norwegian press, arguing that "the campaign against Reich seems largely ignorant and uncivilized, more like fascism than democracy ..." Norway was proud of its intellectual tolerance, so the "Reich affair" put the government on the spot. A compromise was therefore found. Reich was given his visa, but a royal decree was issued stipulating that anyone wanting to practice psychoanalysis needed a licence, and it was widely understood that Reich would not be given one.[33]

Throughout the affair, Reich had issued just one public statement, when he asked for a commission to replicate his bion experiments. Sharaf writes that the scientific opposition to his work affected his personality and relationships. He was angered and humiliated by the notoriety he had inadvertently achieved. His self-confidence undermined, he felt like a marked man, hunted and tormented, no longer comfortable in public, and seething with bitterness against the researchers who had denounced him.[34]

Orgonomy

Freud had argued that there was a sexual energy called libido, which he initially described as "something which is capable of increase, decrease, displacement and discharge, and which extends itself over the memory traces of an idea like an electric charge over the surface of the body," but by 1925 he had rejected the idea that

it was a physical energy.[20] Reich took the idea further, arguing that he had discovered a primordial cosmic energy. He called it "orgone," and the study of it "orgonomy."

Orgone is blue in color, he wrote, omnipresent, can be seen with the naked eye, and is responsible for such things as weather, the color of the sky, gravity, the formation of galaxies, and the biological expressions of emotion and sexuality. He argued that St. Elmo's Fire is a manifestation of it, as is the blue color of sexually excited frogs. Red corpuscles, plant chlorophyll, gonadal cells, protozoa, and cancer cells are all charged with orgone, he said.[24]

He argued that humankind had previously split its knowledge of orgone in two: "ether" for its mechanistic, physical aspects, and God for the spiritual, the subjective.[45] He wrote that, "God-Father is the basic cosmic energy from which all being stems, and which streams through (the) body as through anything else in existence."[46]

Orgone accumulators

In 1940, he built boxes called "orgone accumulators" to concentrate atmospheric orgone. Some of the boxes were for lab animals, and some were large enough for a human being to sit inside. Composed of alternating layers of ferrous metals and organic insulators with a high dielectric constant, the accumulators had the appearance of a large, hollow capacitor. Based on experiments with them, he argued that orgone energy was a negatively-entropic force in nature responsible for concentrating and organizing matter. The construction of the boxes caught the attention of the press, leading to wild rumors that they were "sex boxes" that caused uncontrollable erections.[25]

According to Reich's theory, illness was primarily caused by depletion or blockages of the orgone energy within the body. He conducted clinical tests of the orgone accumulator on people suffering from a variety of illnesses. The patient would sit within the accumulator and absorb the "concentrated orgone energy." He built smaller, more portable accumulator-blankets of the same layered construction for application to parts of the body. The effects observed were said to boost the immune system, even to the point of destroying certain types of tumors, though Reich was hesitant to claim this constituted a cure. The orgone accumulator was also tested on mice with cancer, and on plant-growth, the results convincing Reich that the benefits of orgone therapy could not be attributed to a placebo effect. [citation needed] He had, he believed, developed a grand unified theory of physical and mental health, a claim regarded by the psychoanalytic community as quackery.[47]

Experiment XX

In December 1944, Reich began the 20th (Roman numeral XX) in his series of bion experiments.[48] He filtered all the earth out of an earth bion preparation so that all that remained was clear yellow water, then buried the test tube outdoors in the frozen ground. When he retrieved it three weeks later and examined it under a microscope, he saw pulsating plasmatic flakes. Since the yellow water had not contained visible particulates before it had been frozen, Reich concluded that free orgone energy had condensed out to form the lifelike flakes. This experiment formed the basis for Reich's later theory that all matter in the universe had derived from orgone energy via cosmic superimposition.[49]

Cloudbusters

Reich with one of his cloudbusters, which he said could manipulate streams of orgone to produce rain.

Reich posited a conjugate, life-annulling energy in opposition to orgone, which he dubbed Deadly Orgone or DOR. He wrote that accumulations of DOR played a role in desertification, and he designed a "cloudbuster" with which he said he could manipulate streams of orgone energy in the atmosphere to induce rain by forcing clouds to form and disperse. It was a set of hollow metal pipes and cables inserted into water, which Reich argued created a stronger orgone energy field than was in the atmosphere, the water drawing the atmospheric orgone through the pipes.[20]

Reich conducted dozens of experiments with the cloudbuster[citation needed], calling the research "Cosmic Orgone Engineering." In 1953, a drought threatened Maine's blueberry crop, and several farmers offered to pay Reich if he could make it rain. The weather bureau had reportedly forecast no rain for several days when Reich began the experiment on at 10 a.m. on July 6, 1953. The Bangor Daily News reported on July 24:

Dr. Reich and three assistants set up their "rain-making" device off the shore of Grand Lake, near the Bangor hydro-electric dam ... The device, a set of hollow tubes, suspended over a small cylinder, connected by a cable, conducted a "drawing" operation for about an hour and ten minutes ...

According to a reliable source in Ellsworth the following climactic changes took place in that city on the night of July 6 and the early morning of July 7: "Rain began to fall shortly after ten o'clock Monday evening, first as a drizzle and then by midnight as a gentle, steady rain. Rain continued throughout the night, and a rainfall of 0.24 inches was recorded in Ellsworth the following morning."

A puzzled witness to the "rain-making" process said: "The queerest looking clouds you ever saw began to form soon after they got the thing rolling." And later the same witness said the scientists were able to change the course of the wind by manipulation of the device.[50]

The blueberry crop survived, the farmers declared themselves satisfied, and Reich received his fee.[20]

Orgone experiment with Einstein

Reich discussed orgone accumulators with Albert Einstein in 1941.

On December 30, 1940, Reich wrote to Albert Einstein saying he had a scientific discovery he wanted to discuss, and on January 13, 1941 went to visit Einstein in Princeton. They talked for five hours, and Einstein agreed to test an orgone accumulator, which Reich had constructed out of a Faraday cage made of galvanized steel and insulated by wood and paper on the outside.[51] Einstein agreed that if, as Reich suggested, an object's temperature could be raised without an apparent heating source, it would be a "bombshell" in physics.[52]

Reich supplied Einstein with a small accumulator during their second meeting, and Einstein performed the experiment in his basement, which involved taking the temperature atop, inside, and near the device. He also stripped the device down to its Faraday cage to compare temperatures. In his attempt to replicate Reich's findings, Einstein observed a rise in temperature,[53] which Reich argued was caused by the orgone energy that had accumulated inside the Faraday cage.[54] However, one of Einstein's assistants pointed out that the temperature was lower on the floor than on the ceiling.[55] Following that remark, Einstein modified the experiment and, as a result, concluded that the effect was simply due to the temperature gradient inside the room.[56] He wrote back to Reich, describing his experiments and expressing the hope that Reich would develop a more skeptical approach.[57]

Reich responded with a 25-page letter to Einstein, expressing concern that "convection from the ceiling" would join "air germs" and "Brownian movement" to explain away new findings.[54] The correspondence between Reich and Einstein was published by Reich's press as The Einstein Affair in 1953, possibly without Einstein's permission....[58]

Works

German-language books

- * Der triebhafte Charakter : Eine psychoanalytische Studie zur Pathologie des Ich, 1925
- * Die Funktion des Orgasmus : Zur Psychopathologie und zur Soziologie des Geschlechtslebens, 1927
- * Dialektischer Materialismus und Psychoanalyse, 1929
- * Geschlechtsreife, Enthaltensamkeit, Ehemoral : Eine Kritik der bürgerlichen Sexualreform, 1930
- * Der Einbruch der Sexualmoral : Zur Geschichte der sexuellen Ökonomie, 1932
- * Charakteranalyse : Technik und Grundlagen für studierende und praktizierende Analytiker, 1933
- * Massenpsychologie des Faschismus, 1933 (original Marxist edition, banned by the Nazis and the Communists)
- * Was ist Klassenbewußtsein? : Über die Neuformierung der Arbeiterbewegung, 1934
- * Psychischer Kontakt und vegetative Strömung, 1935
- * Die Sexualität im Kulturkampf : Zur sozialistischen Umstrukturierung des Menschen, 1936
- * Die Bione : Zur Entstehung des vegetativen Lebens, 1938

English-language books

- * American Odyssey: Letters and Journals 1940-1947 (posthumous)
- * Beyond Psychology: Letters and Journals 1934-1939 (posthumous)
- * The Bioelectrical Investigation of Sexuality and Anxiety
- * The Bion Experiments: On the Origins of Life
- * The Function of the Orgasm, 1942, translated by Theodore P. Wolfe
- * The Cancer Biopathy (1948)
- * Character Analysis (translation of the enlarged version of Charakteranalyse from 1933, translated by Theodore P. Wolfe)
- * Children of the Future: On the Prevention of Sexual Pathology
- * Contact With Space: Oranur Second Report (1957)
- * Cosmic Superimposition: Man's Orgonotic Roots in Nature (1951)
- * "Concerning Specific Forms of Masturbation" (essay)
- * Ether, God and Devil (1949)
- * Genitality in the Theory and Therapy of Neuroses (translation of the original, unrevised version of Die Funktion des Orgasmus from 1927)
- * The Invasion of Compulsory Sex-Morality (translation of the revised and enlarged version of Der Eindruch der Sexualmoral from 1932)
- * Listen, Little Man! (1948, translated by Theodore P. Wolfe)
- * The Mass Psychology of Fascism (translation of the revised and enlarged version of Massenpsychologie des Faschismus from 1933, translated by Theodore P. Wolfe)
- * The Murder of Christ (1953)
- * The Oranur Experiment
- * The Orgone Energy Accumulator, Its Scientific and Medical Use (1948)
- * Passion of Youth: An Autobiography, 1897-1922 (posthumous)
- * People in Trouble (1953)
- * Record of a Friendship: The Correspondence of Wilhelm Reich and A.S. Neill (1936-1957)
- * Reich Speaks of Freud (Interview by Kurt R. Eissler, letters, documents)
- * Selected Writings: An Introduction to Orgonomy
- * Sexpol. Essays 1929-1934 (ed. Lee Baxandall)
- * The Sexual Revolution (translation of Die Sexualität im Kulturkampf from 1936, translated by Theodore P. Wolfe)
- * The Einstein Affair (1953)

Notes

1. ^ Sheppard, R.Z. A family affair, Time, May 14, 1973.
2. ^ a b c "Wilhelm Reich," Encyclopaedia Britannica. Retrieved July 26, 2009.
3. ^ Sharaf, Myron (1994). Fury on Earth: A Biography of Wilhelm Reich. Da Capo Press, pp. 4–5.
4. ^ Sharaf 1994, pp. 4, 8; see also Obituary notice for Wilhelm Reich, Time Magazine, November 18, 1957.
5. ^ a b Sharaf 1994, p. 170.
6. ^ Fredric Wertham, Calling all Couriers, The New Republic, Dec 2, 1946, a review of The Mass Psychology of Fascism; Brady, Mildred Edie. The Strange Case of Wilhelm Reich, The New Republic, May 26, 1947; Brady, Mildred Edie. The New Cult of Sex and Anarchy, Harper's, April 1947; also see "The New Coast of Bohemia" (editorial), Saturday Review of Literature, August 16, 1947, and Henderson, Harry and Shaw, Sam. "Greenwich Village: Tourist Trap," Collier's, December 6, 1947.
7. ^ 50 years ago in 1956: the burning of Reich's publications, The Wilhelm Reich Museum, June 2006. Retrieved January 9, 2009.
8. ^ a b c Sharaf 1994, p. 477.
9. ^ a b Sharaf 1994, p. 39.
10. ^ Sharaf 1994, p. 463.
11. ^ Reich, Wilhelm. "Background and scientific development of Wilhelm Reich," Orgone Energy Bulletin V, 1953, p. 6, cited in Sharaf 1994, p. 40 and p. 488, footnote 10.
12. ^ Reich, Wilhelm. Passion of Youth, Paragon House, New York, 1990, p. 25; also see Sharaf, p. 49.
13. ^ Reich, Wilhelm. "Über einen Fall von Durchbruch der Inzestschranke in der Pubertät," Zeitschrift für Sexualwissenschaft, VII, 1920, 222-223, cited in and translated by Sharaf 1994, p. 43 and p. 448, footnote 12.
14. ^ a b Sharaf 1994, pp. 42–46.
15. ^ In his book Passion of Youth (p. 36-37) Reich says that his mother died by the end of September 1910. She took an unknown poison on a Monday, which corresponds to September 26. Based on his further comments one easily concludes that she died three days later, in September 29, 1910, at 2.00 a.m. Her first suicide attempt, with ingestion of Lysol (the afore mentioned household cleaner) had occurred in January 1910, the same evening Leon Reich came to know about the adultery (Reich, idem, p. 31).
16. ^ Reich, Wilhelm. Über einen Fall von Durchbruch der Inzestschranke in der Pubertät, op cit, cited in Sharaf 1994, p. 47 and p. 489, footnote 21.
17. ^ a b Sharaf 1994, p. 48.
18. ^ a b Blumenfeld, Robert. Tools and techniques for character interpretation. Hal Leonard Corporation, 2006, p. 135.
19. ^ Sharaf 1994, p. 58.
20. ^ a b c d e f g h Biography, The Wilhelm Reich Museum. Retrieved August 14, 2006.
21. ^ Sharaf 1994, pp. 108–109.
22. ^ Biographical notes on his family: Annie Pink, born April 2, 1902, Vienna, died January 5, 1971, New York. Eva Reich became a doctor and applied organological techniques to the care of newborns. Lore Reich Rubin became a doctor and psychoanalyst.
23. ^ According to his daughter Lore Reich, Anna Freud and Ernest Jones were behind the expulsion.
24. ^ a b c d e f g Brady, Mildred. The Strange case of Wilhelm Reich", The New Republic, May 26, 1947, cited in Sharaf 1994, p. 360.

25. ^ a b c Cantwell, Alan. Dr. Wilhelm Reich", New Dawn Magazine, 2004. Retrieved December 3, 2007.
26. ^ D'Aloia, Alessandro. "Marxism and Psychoanalysis: Notes on Wilhelm Reich's Life and Works", Marxist.com. Retrieved August 14, 2006.
27. ^ a b c Sharaf 1994, p. 228.
28. ^ Reich, Wilhelm. Beyond Psychology: Letters and Journals 1934-1939. Farrar Straus & Giroux, 1994, p. 66
29. ^ Sharaf 1994, pp. 234-235, 242.
30. ^ Sharaf 1994, p. 242.
31. ^ Sharaf 1994, pp. 234-235.
32. ^ Sharaf 1994, pp. 238-241, 243.
33. ^ a b Sharaf 1994, pp. 230-233.
34. ^ Sharaf 1994, p. 233.
35. ^ Sharaf 1994, pp. 245-246.
36. ^ Sharaf 1994, p. 253.
37. ^ Sharaf 1994, p. 255.
38. ^ Sharaf 1994, p. 254.
39. ^ Sharaf 1994, pp. 257-259.
40. ^ Sharaf 1994, p. 263.
41. ^ Sharaf 1944, pp. 264-265.
42. ^ Elkind, David. "Wilhelm Reich -- The Psychoanalyst as Revolutionary; Wilhelm Reich", The New York Times, April 18, 1971. Retrieved June 17, 2009.
43. ^ Sharaf 1994, p. 274.
44. ^ Sharaf 1994, p. 8.
45. ^ Sharaf 1994, p. 352.
46. ^ Reich, Wilhelm. Murder of Christ. Orgone Institute Press 1953, p. 41.
47. ^ Klee, Gerald D. "What ever happened to orgone therapy?", The Maryland Psychiatric Society, Summer 2001; Vol. 28, No. 1; Pg 13-15, retrieved August 14, 2006; Grossinger, Richard. Planet Medicine: From Stone Age Shamanism to Post-industrial Healing, Taylor & Francis, 1982, p. 293.
48. ^ Reich, Wilhelm. The Cancer Biopathy, chapter II, section 6. Farrar, Straus and Giroux (January 1, 1974).
49. ^ Reich, Wilhelm. Ether, God & Devil & Cosmic Superimposition, Farrar, Straus and Giroux (January 1, 1972)
50. ^ Sharaf 1994, pp. 379-380.
51. ^ Sharaf 1994, p. 285.
52. ^ Brian, Denis (1996). Einstein: A Life. John Wiley & Sons, p. 326.
53. ^ "I have now investigated your apparatus ... In the beginning I made enough readings without any changes in your arrangements. The box-thermometer showed regularly a temperature of about 0.3-0.4 higher then the one suspended freely," Einstein's letter to Reich, February 7, 1941, English translation, in The Einstein Affair, Orgone Institute Press, 1953
54. ^ a b Sharaf 1994, p. 286.
55. ^ "One of my assistants now drew my attention to the fact that in the room ... the temperature on the floor is always lower than the one on the ceiling," Einstein to Reich, February 7, 1941, op.cit.
56. ^ "Through these experiments I regard the matter as completely solved," Einstein to Reich, February 7, 1941, op.cit.
57. ^ "Ich hoffe, dass dies ihre Skepsis entwickeln wird, dass Sie sich nicht durch eine an sich verständliche Illusion trügen lassen," ("I hope that this will sharpen your skepticism so that you're not taken in by one of these understandable illusions"), Einstein to Reich, February 7, 1941, op.cit.
58. ^ Sharaf 1994, p. 288.
59. ^ "FBI adds new subjects to electronic reading room", U.S. State Department, March 2, 2000.
60. ^ Sharaf 1994, p. 361.
61. ^ FDA file on Reich, cited in Sharaf 1994, p. 363 and footnote 6, p. 513.
62. ^ FDA file on Reich, cited in Sharaf 1994, p. 364 and footnote 11, p. 513.
63. ^ Greenfield, Jerome. Wilhelm Reich Vs. the U.S.A.. W.W. Norton, 1974, p. 69, cited in Sharaf 1994, p. 364 and footnote 13, p. 513.
64. ^ Reich, Wilhelm. Conspiracy. An Emotional Chain Reaction, item 386A, cited in Sharaf 1994, p. 367 and footnote 14, p. 513.
65. ^ Reich, Wilhelm. Conspiracy. An Emotional Chain Reaction, item 386A, cited in Sharaf 1994, p. 367 and footnote 14, p. 513.
66. ^ Sharaf 1994, p. 367.
67. ^ a b Sharaf 1994, pp. 410-413.
68. ^ Complaint for injunction by FDA, Feb 10, 1954, part I, USA vs WILHELM REICH 1954-1957.
69. ^ "Wilhelm Reich's Response to FDA's Complaint for Injunction", February 25, 1954, posted on orgone.org.
70. ^ DECREE OF INJUNCTION ORDER (USA vs Wilhelm Reich) by JUDGE CLIFFORD MARCH 19, 1954 - USA vs WILHELM REICH 1954-1957
71. ^ Wilhelm Reich: Man's Right to Know, Wilhelm Reich Museum. Retrieved July 27, 2009.
72. ^ Michael Silvert (1906-1958), born Meyer Silverzweig in Poland. He was arrested with Reich and committed suicide in 1958 when he was released from prison.[1]
73. ^ Herskowitz, Morton. The Trial, The Institute for Orgonomic Science. Retrieved July 26, 2009.
74. ^ Sharaf 1994, pp. 458, 465, 466, 473.
75. ^ Sharaf 1994, pp. 458-461.
76. ^ Sharaf 1994, p. 461.
77. ^ There is some discrepancy between the sources on this. Myron Sharaf writes that Reich signed his last will on February 10, 1957, naming his daughter Eva as executrix, which meant she controlled the publication and republication of his work. The Wilhelm Reich Museum writes that his last will was on March 8, 1957, naming the Wilhelm Reich Infant Trust Fund as the entity charged with running Orgonon as the Wilhelm Reich Museum, transmitting his legacy, and housing his archives. See Sharaf 1994, p. 465 and Biography, The Wilhelm Reich Museum. Retrieved August 14, 2006.
78. ^ a b Sharaf 1994, pp. 469-470.
79. ^ Sharaf 1994, p. 476.
80. ^ Sharaf 1994, p. 5.
81. ^ Obituary notice for Wilhelm Reich, Time Magazine, November 18, 1957.
82. ^ Sharaf 1994, p. 6.
83. ^ For example: Kavouras, Jorgos: Heilen mit Orgonenergie: Die Medizinische Orgonomie, Turm Verlag, Bietigheim, Germany, 2005; Lassek, Heiko. Orgon-Therapie: Heilen mit der reinen Lebensenergie, Scherz Verlag, 1997, München, Germany; Müschenich, Stefan: Der Gesundheitsbegriff im Werk des Arztes Wilhelm Reich (The Concept of Health in the Works of Wilhelm Reich, MD), med. Diss., Marburg, Görlich & Weiershauser, 1995.
84. ^ Müschenich, Stefan & Gebauer, Rainer: Der Reich'sche Orgonakkumulator. Naturwissenschaftliche Diskussion, praktische Anwendung, experimentelle Untersuchung. Frankfurt/Main: Nexus-Verlag 1987
85. ^ Hebenstreit, Günter: Der Orgonakkumulator nach Wilhelm Reich. Eine experimentelle Untersuchung zur Spannungs-Ladungs-Formel. Univ. Wien, Dipl.-Arbeit, 1995
86. ^ The American College of Orgonomy
87. ^ Institute for Orgonomic Science
88. ^ A good overview of Reich's work is Wilhelm Reich: The evolution of his work by David Boadella. A bibliography on orgonomy gives full citations to university dissertations, and to controlled experiments replicating Reich's work on bions, the orgone accumulator, and the cloudbuster.
89. ^ "Cloudbusting", YouTube. Retrieved July 26, 2009.

The Einstein experiments

- * The Einstein Affair, Orgone Institute Press, 1953.
- * Aspden, H. (2001). "Gravity and its thermal anomaly: was the Reich-Einstein experiment evidence of energy inflow from the aether?," Infinite Energy, 41:61.
- * Bearden, T. (2002). "Energy from the vacuum," Cheniere Press, pp. 333-337.
- * Brian, Denis (1996). Einstein: A Life, John Wiley & Sons. Reich is discussed on pp. 325-327, 382, 399.
- * Clark, Ronald W. (1971). Einstein: The Life and Times, Avon. Reich is on pp. 689-690 of the paperback edition.
- * Correa, P and Correa, A. (1998, 2001). "The thermal anomaly in ORACs and the Reich-Einstein experiment: implications for blackbody theory," Akronos Publishing.
- * Correa P and Correa A. (2001). "The reproducible thermal anomaly of the Reich-Einstein experiment under limit conditions," Infinite Energy, 37:12.
- * Mallove, E. (2001). "Breaking Through: A Bombshell in Science," Infinite Energy, 37:6.
- * Mallove, E. (2001). "Breaking Through: Aether Science and Technology," Infinite Energy, 39:6.

<http://www.orgonite.info/what-is-orgonite.html>

A Brief History of Orgone Research

In the 1930's and 1940's, Dr. Wilhelm Reich was able to detect and measure the existence of etheric energy (life energy, chi, etc.), which he called orgone, using a modified geiger counter.

Dr. Reich determined that stacking alternating layers of fiberglass (an organic substance) and steel wool (an inorganic substance) would actually attract and collect orgone/etheric energy of both the life-beneficial positive form (which Reich called "OR" or "POR") and harmful negative etheric energy ("deadly orgone" or "DOR").

Orgone Accumulator Diagram He constructed large boxes called orgone accumulators or "oracs" using this simple layering principle and was able to successfully heal his patients of various ailments, including various forms of cancer, by having them sit inside the box for periods of time.

In 1986, scientists at the University of Marburg, Germany published the results of a blind study¹ which showed that 30-minute orgone accumulator treatments caused consistent, positive psycho-physiological effects not seen with the all-fiberglass box used for a control, stating "the results received in our investigation furnish evidence for the assumption that the physical properties of the orgone accumulator and its psychophysiological efficacy on human organisms, postulated by Reich and his associates, factually exist."

Reich's work was continued in earnest in the 1960's by more open-minded Russian scientists such as Dr. Nikolai Kozyrev (1908-1983), who also scientifically proved that such unseen energies indeed exist all around us, and who's Reich-inspired work led to the unfortunate development of practical Soviet military defense applications which utilized principles of so-called "torsion fields" (e.g., etheric energy). Kozyrev's work, which indeed confirms both Reich's research and our empirical experiences with orgonite, was classified until the fall of the Soviet Union in 1991.

Following in their footsteps, thousands of Ph.D.-level researchers from both sides of the Iron Curtain spanning multiple generations have continued Kozyrev and Reich's pioneering work, slowly forcing mainstream Western science to finally, "officially recognize" the concept of a universal, unseen energy medium they call "dark matter," "vacuum flux" or "zero-point energy," depending on who you ask. It is commonly understood among orgonite enthusiasts that these are all essentially describing the same thing, which Reich called "orgone".

A collection of post-Reich reports, re: Orgone; featuring Trevor Constable's weather control experiments, originally published in The Journal Borderland Research (<http://www.borderlands.com/archives/1987-43-1.htm>)

Trevor Constable : Operation Pincer II ; *J. Borderland Research*, Jan-Feb 1987 ([PDF](#))

T. Constable : Operation Clincher ; *JBR*, May-June 1991 ([PDF](#))

T. Constable : Project Tango ; *JBR*, Sept-Oct 1989 ([PDF](#))

T. Constable : Chi ; *JBR*, Nov-Dec 1992 ([PDF](#))



<http://www.ethericrainengineering.info>

The Etheric Rain Engineering (E.R.E.) rain engineering company in Singapore connects directly to the earliest rain engineering pioneering of Dr. Wilhelm Reich. All current ERE technology is descended from Dr. Reich's pioneering.

Cloudbuster operator here is the late biologist, Robert McCullough. He was Dr. Reich's personal assistant in weather engineering, and a longtime friend and technical associate of Trevor J Constable. This cloudbuster, Magnum 144, used a spiral-wound, 12 feet long 12 inch diameter single tube, and was water-powered. Scene is the Banning Bench, adjacent to the Mojave Desert in Southern California.



...This manually-rotatable array, consisted of seven 8-inch diameter "MT Bazooka" devices, was frequently effective under the stringent conditions of the Mojave desert, especially at night...



The Flying H at Hatfield Flat

Rotating geometric components and correct orientation of the assembly, were the key operating principles of the "Flying H" weather engineering unit seen here in 1986. Art is to ENTRAIN the etheric flows via the "H" device, for regional weather engineering. This unit, with four other bases in July 1986, produced the wettest Los Angeles July in 100 years. Government fax maps and satellite pictures showed anomalous diversion of moisture from the Gulf of California, over 200 miles to the northwest into Los Angeles, which is statistically rainless in July. TJC pre-filed the operation with NOAA in Rockville, Maryland, with an engineering drawing showing what was intended. It happened.



Over a developmental period exceeding 30 years, etheric rain engineering has been utilized in numerous successful operations. Beginning with ponderous, fixed-base operations employing arrays of up to 150 water-grounded tubes, this art and science has continuously evolved. Advances have been both technical and theoretical. By the year 2002, the huge, static, water-grounded arrays have been replaced by a single, hollow tube of sensitive construction. These tubes are carried aboard helicopters or light aircraft, and do not employ chemicals, electric power, or electromagnetic radiation in any form. From inception until today, action has depended on tapping the latent, native power of the etheric continuum.

Effective airborne etheric translators were designed in 1994, initiating a revolutionary advance in etheric rain engineering. "Bull" translators are under four feet long, with small cross-section and light weight. Skilled pilots reported no change in flight characteristics from wing strut installations, but the ability of these powerful translators to evoke violent weather very rapidly in tropical locales, necessitated in-flight deactivation of the translators. Safety required no less. Modified devices were moved INSIDE the aircraft cabin, and a simple procedure permitted in-flight deactivation.

Airborne tests in Hawaii and Malaysia, proved that mobile rain engineering techniques developed in 14 years of high seas rain engineering experiments are far more effective in the airborne mode. The higher velocity of aircraft, the longer horizon from the air, and infinite heading control, produced visible weather reactions and rainfall with unprecedented rapidity. Targeting of the rainfall drop area also became feasible. 1998 Malaysian experience confirmed this.

NO CHEMICALS, ELECTRIC POWER OR ELECTROMAGNETIC RADIATION IN ANY FORM ARE UTILIZED. THESE NATURAL TECHNIQUES ARE ENVIRONMENTALLY PURE.

Etheric rain engineering now has a powerful new dimension. Vast droughted territories in equatoria may now be accessed by aircraft equipped for etheric rain engineering. Existing clouds are not required. These techniques generate their own clouds, from zero if need be. New technical resources exist to deal with tropical droughts in the here-now, together with the unique operating acumen and experience to apply these resources effectively.

Throughout 1997-98, practical research continued with etheric rain engineering in the airborne mode. Successful airborne tests in Malaysia in October of 1997 proved that techniques pioneered in Hawaii were even more effective in equatoria. Rapid engineering of rainy weather, sometimes violent, made in-flight deactivation of the quarter-wave Bull units absolutely essential. These translators were originally designed for attachment to wing struts. Successful test flights in Malaysia and Hawaii proved the feasibility of moving the translators INSIDE a light aircraft, the etheric P-Gun functioned flawlessly, as though no aircraft were present. A rain engineering pilot flying solo can now deactivate the P-Gun in the event of heavy weather, enhancing safety.



A helicopter fitted with a P-Gun is the ultimate rain engineering modality, as proven in Malaysia in April and May of 1998. Nothing in the history of etheric rain engineering development can compare with a helicopter for RESULTS. A helicopter permits infinite adjustment of speed from the hover to more than 100 knots. Experience has proved that the greatest effects in etheric rain engineering usually develop at around 50-60 knots. Helicopters are also unmatched observation platforms. Their ability to set down almost anywhere is ideal protection against violent weather. Combined operation of a helicopter and a light aircraft, both equipped with P-Guns, allows thousands of droughted equatorial acres to be readily accessed and rained, almost like crop-dusting with water.

OPERATION PINCER II, July 1986. An engineering drawing was filed in advance of this project with the U.S. Federal authorities (NOAA), detailing the procedure that would engineer rain into Los Angeles in July 1986. Los Angeles is 'STATISTICALLY RAINLESS' in July. Etheric rain engineering was being pitted against a century of weather records. PINCER II demonstrated the anomalous diversion - 240 miles out of its normal path into Arizona - of rain that made July 86 the wettest July in 100 years. The attendant, anomalous thunder and lightning storm left 300,000 Los Angeles residents without electric power. Entire operation was documented by US government radar fax maps and storm video.

OPERATION CLINCHER - Smog Dispersal, May-November 1990. Federally-filed in advance with NOAA, Clincher had as its announced target, a twenty percent SEASONAL REDUCTION of smog. This was to be across-the-board, for the huge four-county Air Quality Management District, the largest, filthiest smog region in America. This six month operation utilized 14 etheric vortex generators that had been technically developed aboard SS "Maui". No chemicals, no electromagnetic radiation. Smog took the worst knock, in every category, since smog began. Reductions of over 60 percent in some of the worst areas. Zero smog in several. Overall seasonal smog reduction: 24 PERCENT. Comprehensively documented with AQMD statistical releases.

OPERATION TANGO, Singapore, July 1988. Dry season rain engineering. TANGO, like CLINCHER against Los Angeles smog, was sponsored and financed by a young Singapore entrepreneur, Mr. George K.C. Wu - now the President and Chief Executive Officer of Etheric Rain Engineering Pte. Ltd. TANGO utilized a 46-foot Hatteras cabin cruiser offshore, coordinated with an Apache etheric vortex generator at Loyang, on Singapore Island. TANGO raised 30,000 square kilometers of rain over Singapore, Malaysia and northern Indonesia. TANGO was documented with Singapore government radar maps and mobile video.

In addition to TANGO during this Singapore visit, Mr. Wu and Mr. Constable carried out operational experiments with a speedboat and a rotating "Termite" device. These operations were extremely enlightening as to the special etheric properties of tropical weather.

OPERATION PIONEER - Melaka, Malaysia, 1991 Dry Season. Fixed base operations, with ancillary gun car operations on regional roads. PIONEER brought in 38 measurable rains in 57 dry season days, for a total of 327 mm. This is 75 percent of an entire year's normal Melaka rainfall. Melaka is the driest state in mainland Malaysia. Government radar nevertheless documents unerringly that Melaka was FREQUENTLY THE ONLY STATE IN MALAYSIA GETTING RAIN during the entire period of PIONEER.

OPERATION RED BARON, Hawaii, 1994-96. - This was the initiating, pioneer series of airborne etheric rain engineering operations. Rain was successfully engineered from the air, using specially-designed "Bull" translators, right from the first flight made for this purpose. Conclusively established the power and efficiency of airborne rain engineering, as superior to any previous modality. Methods developed in 14 years of maritime mobile work aboard the SS "Maui" proved much more effective from an aircraft. Documented by video and via third party media reports. Incorporated in special demonstration video for government

ministers and senior officials.

OPERATION SEGAMAT, Malaysia, October 1997. AEREO -Airborne Etheric Rain Engineering Operations - proves effective in a series of exploratory operations in rural Malaysia. These rain flights exploited the advantages of isolated airstrips without traffic control. The program culminated in Segamat, in central Malaysia, where a lengthy dry spell had droughted the region. The Segamat Country Club had its own airstrip. On 14 October 1997, two short, successive rain engineering flights were scheduled, right off the runway directly to the east. Each flight was to be for no more than 20 minutes at minimum safe speed. The second flight had to be curtailed to 9 minutes because of imminent heavy weather. Eight hours of rain into droughted Segamat ensued, which extended some 60 km to the north and west. Documented with radar fax maps, video and photography. (See the 16-exposure photo recording of this operation at the head of this section)

OPERATION K.L., Malaysia, April 1998. The Kuala Lumpur region was in a four and a half months period of drought. Water rationing was in force. 28 hours after Mr. Constable set foot in Malaysia and made an immediate AEREO flight, the region was deluged. In the subsequent week, a helicopter was used for the first time in AEREO. Slower, controlled flights in the 40-60mph speed range, proved super-effective. Coordination of fixed-wing and helo AEREO flights successfully pioneered, revealing a rich potential. Nocturnal rains were also engineered into Kuala Lumpur by means of a fixed-base P-gun installation on the hotel roof. These rains were accompanied by massive thunder and lightning, on the scale of a bombing attack. Entrenched drought in Kuala Lumpur was countered by natural means, without chemicals or radiation.

People's Republic of China. September 1999. Sponsored by a HongKong charitable foundation. Supervised by Mr. Chen Feng, President and CEO of Hainan Airlines, this was a demonstration operation. A single, 20 minute helicopter flight to the east, equipped with a single P-gun, produces rain over Hainan Island, contra-forecast and as promised, within 12 hours. Extensive rain resulted in the cancellation of the second demonstration flight, scheduled for the following day. It was still raining from the first pass. This was the first airborne etheric rain engineering operation ever conducted in the People's Republic of China. Documented and presented in a brochure by PRC meteorologists and Hainan Airlines technicians.

<http://www.orgoneproducts.org/cloudbuster.php>

Orgone Chembuster / CloudBuster

This is based on the Don Croft model of Wilhelm Reich's cloudbuster. The difference between the Croft model and Reich's essentially lies with the addition of Quartz crystals into the Orgone mix. Dr. Reich's original cloudbuster needed a running source of water to clear the unit. I make my Chembuster / CloudBusters a little different from Don Croft, I do use the crystals, Quartz, amethyst, tourmaline, jade and turquoise. I do not however use aluminum, I follow Reich's warning not to use Aluminum. Most Chembuster's use Aluminum as the main metal. I use steel shavings Reich's traditional metal; as well as Copper, Zinc, Silver, and a bit of Monoatomic Gold. I prepare the resin with a crystal singing bowl, and a Schauberger water implosion coil to create structured resin. I will also add in some herbs such as garlic and pure carbon in the form of charcoal.

<http://www.orgonelab.org/sobuildaclb.htm>

[Excerpt]

SO, YOU WANT TO BUILD A CLOUDBUSTER?

by

James DeMeo



James DeMeo



The Problem of Operator Character Structure

...Cloudbusting requires more of the people who engage in it than the mere "desire" to "get involved", or to "make rain", or the mere mechanical ability to assemble a few pipes and wave them about in the air. For safe and effective operations to occur, the operator must firstly have a high degree of personal health, and secondly to know exactly what they are doing, and why. They must have a good working knowledge of the cloudbusting techniques and methods which have been worked out over the last 35 years. They must be educated in basic climatology and atmospheric dynamics. Additionally, and most importantly, the cloudbuster operator must not possess any significant degree of biophysical, emotional armoring. They must be emotionally fluid, with a capacity for full bioenergetic contact with the natural environment. They must possess the capability of perceptively understanding the unspoken language of the living, which is energetically expressed in the atmosphere and landscape.

It must always be kept in mind that the cloudbuster is a tool by which the atmosphere is restored to a state of self-regulated functioning. It is not a "weather modification" apparatus, like cloudseeding, where the atmosphere is forced to do this or that, or is "pushed about" to do something it normally would not do. Anyone wishing to work with a cloudbuster must therefore have an intuitive, gut-level grasp of the concept of atmospheric self-regulation. For this, they must be self-regulated people, free from significant biophysical emotional armoring. They must, as much as is possible, be what Reich called unarmored, genital characters, that is, individuals who have maintained, or regained through therapy, the capacity for making full contact with their deeper emotions, and who are orgastically potent as defined by Reich. They must not be openly or secretly cruel, sadistic, or domineering towards the opposite sex, nor be timid or fearful. This question of how the individual relates to the opposite sex is, aside from other characterological considerations, a give-away as to their deeper emotional self, and a clear predictor of the attitude and behavior towards the natural environment...

Negative Biophysical Effects on Cloudbuster Operators

There are other reasons to insist upon good training and therapy for cloudbuster operators. The biophysical effects of the cloudbuster upon the operator's own organism can potentially be mildly sickening (headaches, nausea, sinusitis, etc.) or even life-threatening. This real danger has often been dismissed by various armored persons who were incapable of feeling the movement of the life energy within their own body, and who could not feel or see it move in the atmosphere. As a result, many people have been made sick. However, accidents can also occur even when the cloudbuster operator is skilled, and precautions are taken. For the reasons given here, cloudbuster operators must learn about the mechanisms governing atmospheric charge, and also techniques for dissipating an overcharge within their own organism, and for protecting themselves. For example:

- 1) Several of Reich's assistants were immobilized and greatly sickened by the field effects surrounding his laboratory during the oranur experiment. Later on, similar reactions occurred in the surroundings of operating cloudbusters, particularly during desert and drought operations.
- 2) A man using a cloudbuster in a California desert touched the pipes with his bare hands. He was paralyzed on one side of his body, and never completely recovered.
- 3) A cloudbuster operator developed a walnut-sized tumor one day after handling a cloudbuster during a drought. The tumor was eventually eliminated through ergonomic first-aid, involving therapy, use of the accumulator, dor-buster, and detoxification techniques.
- 4) A medical doctor in Germany used a medical dor-buster on his patients for many years. The apparatus resembles a miniature cloudbuster, and functions similarly. He developed a paralysis in the arm he used to work the apparatus, which later spread to his shoulder and the side of his face, after which he died.
- 5) A man who used a manually operated cloudbuster for many years in droughty situations became quite ill, in spite of many precautions. He eventually developed scleroderma and cancer, which killed him.
- 6) A man with a history of high blood pressure and a stroke had another debilitating stroke a few days after working as an informal helper on a cloudbuster operation, where his exposure was limited to no more than 15 minutes per day over three days. All the usual precautions had been taken.
- 7) Other cloudbuster operators have been made very ill from standing too close to the instrument. The biological effects of overcharge, and of what Reich called dor-sickness, have included high fever, muscle cramps, nausea, and diarrhea. Severe skin rashes, hives, and "flu" symptoms have also been observed. Reich noted, the effects of the toxic field around the cloudbuster tends to hit a person at their weakest spot, causing old health problems to flare-up.

<http://www.angelfire.com/ak5/energy21/cloudbuster.htm>

How to Build A Cloudbuster to Disperse Chemtrails and Improve the Weather

By Don Croft

Definition of a contrail: A contrail occurs when a plane travels at a high altitude (about 30,000 ft. or more) and compresses the air into a water vapor or ice crystals through jet engines or the wing tips pushing through the air. This trail disappears after anywhere from a few seconds to 15 minutes, as the water vapor evaporates.

Definition of a chemtrail: The term "chemtrail" is a relatively new word, which appeared in the last few years along with the appearance of chemtrails. A chemtrail is very different from a contrail. At first a chemtrail might look a bit like a contrail. However, instead of disappearing like a contrail does, a chemtrail just keeps spreading out and forming a hazy cloud bank. These trails traverse the whole sky and stay for up to around five or even eight hours. They have been known to turn

what was originally a clear blue sky into a grey haze. (Note: As of Nov 2001 there are already several dozen cloudbusters in seven countries, so if you see chemtrails that don't last anywhere near this long, there may already be a cloudbuster in the area).

It is believed chemtrails are composed at least in part by an oil based substance of unknown content that is actually being sprayed from jets on populated areas. It has also been found that some chemtrails contain red blood cells, aluminum, mycoplasma, viruses and other unknown biological components. There are many reports of increased diseases, especially respiratory ailments, in areas where there are chemtrails.

Chemtrails are often seen to be sprayed by white planes with no markings. Sometimes you will see these planes give off no contrail at all, and immediately after the same kind of plane in the same area will start to leave a thick chemtrail. At other times, distinct short gaps in chemtrails have been photographed, as though the plane ran out of chemicals and then had to start spraying with a new supply.

For information on Chemtrails see the sites listed at <http://www.carnicom.com/contrails.htm>

History of the Cloudbuster

The Wilhelm Reich cloudbuster (CB) was well known for its ability to create rain. But a problem existed with its continued use, in that the deadly orgone energy that it absorbed could in fact hurt the operator if it was not correctly "drained off". This "draining off" of deadly orgone energy was accomplished by 1. Connecting the cloudbuster to a body of running water (difficult) or 2. Connecting the cloudbuster output to an orgone accumulator. However, the orgone accumulator would soon become saturated with the deadly orgone energy which in turn caused more problems for the operator. So the cloudbuster, as good a technology as it is, has lain dormant for many years.

The Cloudbuster Re-Invented

By utilizing the research of Wilhelm Reich, we have created a cheap, portable and easy to build device that consistently destroys Chemtrails and heals the atmosphere. The "chembuster" is the answer to these ongoing attacks. Unlike the original cloudbuster, the CB changes the deadly orgone energy to good orgone energy and does NOT become saturated or dangerous to the operator. You can build one for about \$150.

A properly constructed CB unit should be able to greatly reduce the effects of chemtrails for about 45 miles in all directions (90 mile diameter) from the unit. If used with Slim Spurling's environmental tools, and a few extra crystals, the diameter can be increased to about 120 miles in all directions.

With this device a mere few hundred concerned citizens can SHUT DOWN the multi-billion dollar chemtrail program. The chembuster cannot do any damage. It can only help and heal. Its up to you to join the fight to save America.

Chembuster Construction Details

BUCKET: Base: 9" in dia., 9" deep. I use two-gallon plastic buckets from the Home Depot paint department, but two-gallon food buckets, available from restaurants, or two-gallon spackle buckets from drywall contractors are fine. Leave the buckets on, as the handles make it easier to move the finished cloudbuster.

COPPER PIPES: Six standard Type M, 1" copper pipes, 6' long, open at one end, the capped ends submerged to within an inch or so of the bottom of the bucket before casting. For portability and shipping, you can use 12" sections of pipe in the base, adding five-foot lengths by putting couplers between the 12" and five-foot pieces. You won't need to buy as much copper pipe this way, too.

CRYSTALS: I glued a double-terminated (two pointed ends) quartz crystal, about 2" long, into a .75" section of garden hose, (or use electrical tape) then, glue to the inside of each of the six copper end caps, pointing in the same direction as the pipe will be after the cap is glued on. I use 'Goop' glue. Tape, or solder around the cap where it joins the pipe to prevent resin from leaking into the cap during casting. (Note) Another option is to add one citrine gemstone to each pipe before adding the crystal, this smoothes the CB's energy and helps to transmute negative energies. However, citrine does not seem to make the CB any more effective at eliminating chemtrails.

METAL PARTICLES: Get some metal particles from a machine shop, recycling yard or a place where they saw a lot of aluminum (sign shops and aluminum fabrication shops are good places to look). I use aluminum for weight considerations, but ANY metal will do. Very fine particles (such as filings from a key-making machine) aren't quite as good as ones that will easily go through a 1/2" screen are okay. There really is a wide margin of suitability! .

PLYWOOD: Template 1 - 3/4" exterior plywood is used to make the base for the copper endcaps/pipes. I arrange the six pipes evenly around a 2 1/2" radius circle, which makes the pipes 2 1/2" apart on centers. A flat, 1 1/4" auger bit drills a suitable hole for each end cap.

Template 2 - Make another piece to fit inside the rim of the bucket. Remember to cut a section away so you can fit your fingers under it to remove it from the bucket. This piece is not part of the finished CB, just used to get the spacing for the pipes right during construction. Cut the holes in this with a 1 1/8" flat bit so that it will fit well over the six pipes. This piece will hold the pipes in position while the second batch of resin hardens.

Template 3 - I make a circular plywood spacer for the top ends of the pipes, 4" radius with 1 1/8" holes on the same 2 1/2" radius circles for the pipe ends. This keeps the pipes parallel with each other and fairly rigid.

Widest circle is 9 1/8"

RESIN: I use polyester resin (used to build fiberglass boats) but epoxy also works, as does envirotech resin from www.eti-usa.com (this sets up very quickly, so you need to be proficient with it). (If you are going to construct many of these units, try to purchase your resin in 5 gallon buckets over the internet, possibly from a surfboard or boat manufacturing supply company. Home depot gets \$24 per gallon for resin)

On a level surface, pour an inch or so of catalyzed resin into the bottom of the bucket and stir in metal particles until the surface is uniform and flat. CAUTION: Resin fumes are flammable; use in a warm, but well ventilated area.

The ratio that seems to work is approx. one part resin to one part metal particles.

Put the base Template 1 onto that before it hardens, so that it just touches the surface and doesn't sink in much. Pour a half gallon of catalyzed resin into the bucket after the six pipes are set into the holes in the base template. Use the dowel to stir in handfuls of metal particles in the same ratio as before. Note that the wood Template 1 should not be pushed down to the bottom of the bucket with the resin squishing over the top.

Carefully move the Template 2 down on to the six pipes until it is snugly within the rim of the bucket. Put the top Template 3 onto the top of the pipes and move them until the pipes are parallel. After the resin has hardened, remove the second template and set it aside. This is only used during construction, as I mentioned.

You can finish off putting the resin/metal mixture in now in two stages if you want, up to within a half inch of the rim of the bucket. Now it's finished (wait until it hardens before you move it. You will actually use about one gallon of metal shavings and 1 1/2 gal. Of resin.

A MONEY SAVING SUGGESTION, ALSO FOR BETTER PORTABILITY:

Cut six pipes, 12" long, and put the crystals/endcaps on them for the base. Buy six coupler joints which allow a pipe to come into them from both directions and stop at the middle. This allows you to make the rest of the pipe assembly from three pipes, 10' long, cut in half. The finished product leaves you with only one piece of pipe, four feet long leftover.

When positioning the 12" pipes for pouring the second layer of mix, temporarily tape the top ends of the 12" pipes so no metal particles are dropped in them by mistake.

After the mix is made, take off the tape and push the rim plywood piece down onto the pipes so that it fits into the rim of the bucket.

Put the spacers (soldered if desired), then the 5' pipes onto the 12" base pipes, then put the third (top) plywood piece onto the 5' copper pipes.

The pipes will look skewed, most likely, so just twist the top plywood piece around until the pipes line up parallel. As you do that, the rim plywood piece will move around. You need to do this expeditiously, though not in a hurry, so that the resin doesn't harden before you're done.

We experimented with 5' extensions to the pipes to increase the range. It had a strong effect on the moon and on the upper atmosphere of the planet for hundreds of miles. We also apparently shut down the weather warfare facility under Homestead Air Force Base by leaving the extended cloudbuster pointing at the dead orgone field above it for a week.

We found that we don't need to point it in any particular direction in order to clear the atmosphere of bad orgone, and the longer it's left standing, the nicer it feels for a longer distance from the cloudbuster (many miles). We just stand it on its bottom, pointing straight up. We did once eliminate a belt of smog which was just off the coast by aiming at it for a few minutes, so direction can be a factor.

Cloudbusters destroy chemtrails consistently. It may take a few days for your cloudbuster to activate the environment enough to do this, but after that point the spew will disappear within seconds of leaving the UN jets and dissipated trails that drift within range of the cloudbuster will also disperse, but more slowly. The ones that are made up of solids take longer to dissipate, but we've found that these only make up about 10% or so of the spewing episodes.

Dr. Reich's cloudbusters were extremely dangerous when in operation since he had no orgone generator attached to them. Bad orgone does carry a charge which can quickly drain one's life force away when it's concentrated in one spot. It's similar to a strong positively charged static electrical field. When cloudcover is unproductive or unbalanced (too much lightning, for instance, or too much rain) the cloudbuster busts it up.

It also may help stop drought. Overall, it just balances the weather, I think it sort of mediates between the ground and the atmosphere somehow. The one in Namibia, Africa finally brought heavy rain to the desert there. It happened 9/5/01, and continued for several days. Gert, the fellow who made the cloudbuster and reported the occurrence, told me that this had simply never happened in the Namib desert before to the best of anyone's knowledge. It's arguably the driest region on the planet.

WARNING: If you touch the pipes when they're drawing in strong unbalanced or dead orgone and don't put your hand on the base after that, you may experience headaches, even into the next day, as a friend of ours did recently.

Mind you that our efforts, though somewhat pioneering, should be seen mainly as a springboard for further developments rather than the last word.

SUGGESTION: If you want even more rain, try putting water on top of the material in the bucket and/or hosing down the whole apparatus daily. In freezing climates, cover the top of the six pipes so water can't freeze and shatter the crystals. The CB appears to effect chemtrails equally well whether it's placed indoors or out. Up to seven crystals can be placed in each pipe to improve performance.





Alison Davidson : Review, W. Reich's "Contact With Space" ; *Journal of Borderland Science*, Sept-Oct 1988 ([PDF](#))

Klark Kent : Oranur Experiment (I) ; *JBR*, Jan-Feb 1987 ([PDF](#))

K. Kent : Oranur Experiment (II) ; *JBR*, Nov-Dec 1986 ([PDF](#))

Links

<http://www.wilhelmreichmuseum.org/>

The Wilhelm Reich Museum

<http://www.orgonomy.org/>

The American College of Orgonomy

<http://www.orgonomicscience.org/>

Institute for Orgonomic Science

<http://www.wilhelm-reich-akademie.de/>

Wilhelm Reich Akademie

<http://www.orgonelab.org/>

Orgone Biophysical Research Laboratory

<http://www.orgonelab.org/OROPAZ1989.htm>

OROP Arizona: 1989 Cloudbusting Desert-Greening Experiment

<http://www.orgonelab.org/Israel1991.htm>

OROP Israel: 1991 Cloudbusting Desert-Greening Experiment

<http://www.orgone.org/>

PORE, Public Orgonomic Research Exchange

<http://www.youtube.com/watch?v=IRHA9W-zExQ>

"Cloudbusting", YouTube. Retrieved July 26, 2009.

<http://www.orgonelab.org/cart/xdemeo.htm>

DeMeo, James (1989). *The Orgone Accumulator Handbook: Construction Plans, Experimental Use and Protection Against Toxic Energy, Natural Energy Works.*

Videos

<http://www.youtube.com/watch?v=sPV-JExUPns>

Wilhelm Reich and the Orgone Energy

<http://video.google.com/videoplay?docid=-8843766085651223714>

Mans Right To Know

<http://www.youtube.com/watch?v=8L3tKddZFic>

Cloudbuster

<http://www.youtube.com/watch?v=QmH8btHatdo>

Wilhelm Reich - Cloudbuster

<http://www.livevideo.com/video/ConspiracyCentral/D317883A716149AD947D0D34A701D286/wilhelm-reich-cloudbuster.aspx>

Wilhelm Reich - Cloudbuster - Channel: ConspiracyCentral on ...

<http://www.bbc5.tv/eyeplayer/video/wilhelm-reich-cloudbuster>

BBC5.tv eyePlayer - Wilhelm Reich - Cloudbuster

Patents

<http://v3.espacenet.com>

NL1034236

Water recycling device, comprises filter containing zeolite, metals and oyster shell, and regeneration device for generating vortex using air treated with orgone radiation

Inventor: JONKER ROBERT ALEXANDER

2009-02-10

Abstract -- Water is passed through a filter containing zeolite, metals and oyster shell, and regenerated by accelerating flow of water into a shell-shaped space whilst at the same time introducing air which has been conditioned with orgone radiation, in order to create a vortex. A device for recycling water uses a combination of filtration and regeneration techniques. Filtration is performed using a filter containing zeolite, metals (particularly copper and silver) and oyster shell. Regeneration is carried out by accelerating an incoming flow of water into a shell-shaped space and at the same time introducing conditioned air, in order to produce a vortex. Air is conditioned using orgone radiation. The vortex can be subjected to additional forces such as vibration.

DE10204881

Method for biological activation of inorganic materials, e.g. calcium carbonate, useful to provide products for e.g. improving plant growth, or as a feed additive, comprises the use of radiation from an orgone chamber

Inventor: BARTH ADALBERT

2003-08-14

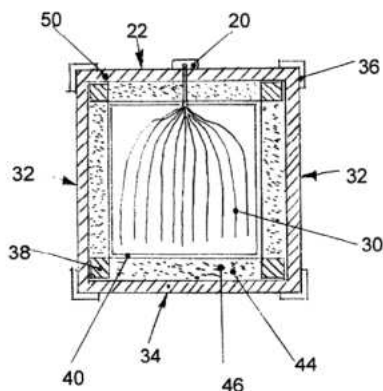
Abstract -- A method for biological activation of inorganic materials (I) involves applying radiation from an orgone chamber onto a metal surface and placing the mineral material (I) under the surface at a pre-determined spacing, so that (I) is subjected to the effects emanating from the orgone chamber and the metal surface. An Independent claim is also included for an orgone chamber for carrying out the process, comprising a vertical hollow body (preferably of square, rectangular or round cross-section) with: (1) vertical walls consisting of an inner electrically conductive layer (preferably of steel sheet) and an outer non-conductive layer; (2) a closed base consisting of a film or sheet (preferably of aluminum, as information matrix); and (3) a closed top consisting of a combination of layers as in (a), covered with a layer of quartz sand.

GB2358803

Orgone-acupuncture device

Inventor: SOUTHGATE LEON [GB] ; GLEAVE KEVIN

2001-08-08



Abstract -- An apparatus for treating a living body, comprises an acupuncture needle 2, 4 for penetrating body skin, a metallic wire 6, 8 having a proximal end connected to the needle, and a distal end of the wire extending into the interior of a sealed container (24, Fig 1) for providing orgone energy, and being suspended in free space within the interior, the sealed container having an exterior wall (22, 32, 34, Fig 1, 2, 6) being formed with an outer non-metallic surface (48, 50, Fig 2, 4, 5) and an inner metallic surface (40, fig 2, 4, 5), and a multilayered construction (44, 46, Fig 2, 4, 5) being formed of successive layers of metallic and non-metallic material disposed between the inner and outer surfaces.

WO9961099

DEVICE FOR USE IN BIONE OR ORGONE THERAPY

Inventor: BION-TEC GMBH

2000-08-02

Abstract -- The invention relates to a device for use in bione or orgone therapy, consisting essentially of a certain amount of concentrated/informed quartz powder (5) and a device for accommodating said quartz powder(5), said device comprising a base body (1) in the shape of a compress, a cuff, a bandage or similar, consisting of plastic, rubber or a similar material. The quartz powder is mixed with said plastic, rubber or similar material. According to the invention, bione accumulators (1, 20) are used for carrying out the orgone therapy. Said bione accumulators consist essentially of a Dr. Wilhelm Reich accumulator which is configured in such a way that a quartz element (5, 25) and a UV-light source (4, 24) are provided. Said quartz element (5, 25) is arranged in such a way that it is

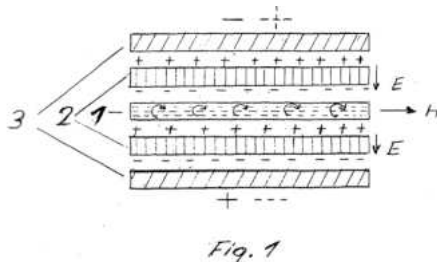
caused to vibrate at least partially by the UV-light source (4, 24) and is hereby informed with energy.

DE19915730

Increasing gravitational field energy density in orgone accumulator

Inventor: SCHULZE DIETER

2000-11-09



Abstract -- Method for increasing the gravitational field energy density in an orgone accumulator comprises: (a) applying a DC voltage to a sheath electrode to strengthen the electric field in a nonconductor surrounding an electrical conductor, where the electric field can be varied by controlling the DC voltage; and/or (b) using a material with good magnetic properties to strengthen the magnetic field of the electrical conductor.

DE19902369

Equipment used in bione and orgone therapy

Inventor: VOLLERT KAI [DE] ; VOLLERT HEGALL

2000-07-27

Abstract -- The equipment includes e.g. a compress, collar or bandage made of plastic or rubber mixed with quartz flour. Independent claims are included for the following: (a) a method for producing the device in which the quartz and plastic granules are mixed, the plastic is melted and the mixture is molded; (b) a Bione accumulator (1), used in orgone therapy, consisting essentially of a Dr. Wilhelm Reich accumulator in which a quartz element (5) and ultraviolet light source (4) are included. The quartz is located for excitation into oscillation by the ultraviolet light source. This imparts energetic information to it. Preferred features: The plastic is an elastomer. An additional chamber provides for inflation, e.g. using air. In the pad of the compress, a cavity is included for enriched and informed quartz flour. In manufacture, casting, injection molding or pressing is employed.

<http://projectcamelot.org/reich.html>

Wilhelm Reich's Contact With Space

by

Robert Scott Martin

On January 28, 1954, Wilhelm Reich "happened accidentally to observe two bright yellow-orange lights moving in front of a mountain range toward a lake." The encounter was the opening salvo of a "war" with UFOs that would occupy the final phases of Reich's troubled medical and scientific career.

At the time, Reich, a trained psychoanalyst who had once belonged to Sigmund Freud's inner Vienna circle, was already facing what he called "emotional and physical misery" caused by his more terrestrial battle with the U.S. Food & Drug Administration over the use of "orgone," a controversial form of ambient "life energy" he claimed to have discovered.

Reich found an inexhaustible range of uses for his discovery, touting orgone as everything from the secret of antigravity to a tool for weather control, especially rainmaking. Most importantly, he found that he could use orgone to "interfere" with UFOs.

But to the FDA, orgone simply did not exist, rendering Reich's orgone-based therapies prosecutable under quackery statutes. Even today, four decades after the controversy, Reichian therapists claim to be able to manipulate the energy for a wide variety of healing effects, including the cure for cancer, without resorting to drugs, radiation or chemicals. Instead, Reichians work to build up a current of orgone within the patient's vicinity in order to strengthen and heal the underlying life force itself.

Nevertheless, Reich's legal fight with the FDA ended with his death in prison after defying a federal injunction against the use of orgone for medical purposes.

Whatever the official status of his medical theories, Reich expected a response when he wrote to the U.S. Air Force about his UFO sighting. He reasoned that "the U.S. Air Force is the natural organization in the Western world responsible" for dealing with such phenomena because "it operates in the atmosphere and watches the frontier upward toward outer space." When the military didn't deal with his report to his satisfaction, Reich took matters into his own hands.

In his letter to the Air Force, reproduced in his last book, *Contact With Space*, Reich described his sighting as "a brightly shining light" moving from west to east through the forest outside Rangeley, Maine. A second, similar phenomenon soon joined the first, both moving steadily in front of Spotted Mountain. He concluded that the objects were not stars due to their course and the mountain intervening between their apparent motion and the sky, but the possibility that they were military vehicles or other objects of a terrestrial type did not seem to occur to him.

At around the same time, Reich's secretary, Ilse Ollendorff, also reported seeing "a similar, but brighter and bigger, because closer, object." Like the aerial phenomena observed by Reich, Ollendorff's sighting hovered in front of a mountain, but then "was seen rising once vertically upward, settling down again and then disappearing."

The Air Force, for its part, was either unaware of Reich's running battle with the FDA, or was intrigued enough by his encounter to overlook the controversy. Lt. Steven J. Hebert, stationed at the Presque Isle Air Force Base, wrote back telling Reich that the "subject officer notified this organization to take whatever action necessary, since this unit is interested in investigating unidentified aerial phenomena."

Hebert enclosed a copy of Technical Information Sheet Form A, the Air Force's UFO reporting questionnaire, for Reich and Ollendorff to fill out and return. As *Contact With Space* ruefully notes, Reich received the letter only five days before the FDA obtained the injunction forbidding the distribution of orgone equipment as medical devices.

Reich returned the questionnaire along with a copy of a short essay, "Survey on Ea," providing background on other unusual occurrences around the Orgonon research facility, including the revelation that friends had told Reich "of saucers having been seen over Orgonon in 1951." However, he had taken little personal interest in the reports until 1953, when his discovery of Keyhoe's book made him wonder whether UFOs – or, in his terminology, "Enigma Alpha" or "Ea" – might be propelled by orgone.

The Air Force did not reply, perhaps put off by the impenetrable nature of the "basic orgonometric equations" included as an appendix to "Survey on Ea." In the book, Reich includes a rather coyly self-important note saying "not all can be revealed" about his relationship with the Air Force, but there is no evidence in *Contact With Space* that Reich was in communication with the military until October, a full six months later.

Instead, during that time, Reich writes that he busied himself with appealing the FDA injunction and preparing a research trip to Arizona, where he hoped to investigate the role played by orgone reactions in the formation of deserts.

In looking toward space to explain his sighting, Reich showed himself to be anything but an uncontaminated witness. Like most U.S. citizens in the 1950s, exposed to years of speculation that flying saucers were not native to the Earth, Reich already believed that unknown aerial phenomena were, in his words, most likely "contacts with visitors from outer space."

Reich was familiar with Donald Keyhoe's groundbreaking 1953 book *Flying Saucers from Outer Space*, leaving him predisposed to look for extraterrestrial explanations for the unknown lights weaving across the sky near his Maine research facility. Moreover, the fact that he had seen 'War of the Worlds' only three weeks before reporting his sighting was also likely a contributing factor – as Reich called the film "a rather realistic approach to the planetary emergency," it evidently made quite an impression.

Furthermore, the cultural climate of the 1950s not only predisposed Reich to look beyond the Earth, but to look for evidence that his UFOs were engaged in "warlike" behavior.

The threat of war was in the air, both in Reich's embattled personal life and in the broader political framework. The Keyhoe book popularized several apparently hostile encounters between Air Force pilots and unidentified aerial phenomena, while no less a personage than General Douglas MacArthur would warn only a year after Reich's sighting that "all countries on Earth will have to unite to ... make a common front against attack by people on other planets."

With that in mind, the Austrian refugee, who had fled to the United States from the Nazis, considered it not only a scientific but a patriotic duty to alert Air Force Intelligence to the encounter at once.

This policy of full disclosure was typical to Reich, who had taken care to keep the White House informed about developments in orgone research since 1951. While his critics point to this as another symptom of what long-time skeptic Martin Gardner called Reich's "paranoid egoism," Reich himself seems to have considered the matter a "major responsibility" and seems to have downplayed the potential uses of his encounter as a self-promotional vehicle.

In May, however, Reich made an accidental discovery that a few Air Force officers, including General Harold Watson, chief of intelligence at Wright-Patterson Air Force Base, would find very interesting.

As Reich was scanning the sky with a "cloudbuster," a device he had designed to draw orgone out of the sky in order to induce rain, he saw a star "fade out" in the presence of three other witnesses. He pointed the cloudbuster pipes at a second blinking light, which also faded in brightness. Meanwhile, the first star reasserted itself once the cloudbuster was pointed away from it.

Reich repeated the experiment three more times in quick succession, reporting identical effects each time. As it was scientifically impossible that his device could have interacted with actual stars – even in orthodox Reichian literature, the cloudbuster's range was measured in kilometers, not lightyears – he concluded that his device had interfered with two UFOs.

Having concluded that his cloudbuster could also function as a "spacegun," Wilhelm Reich began to outfit his Arizona expedition as though preparing for a war with outer space.

In October 1954, Wilhelm Reich was under siege. Not only had the Food and Drug Administration stripped him of his livelihood, but almost daily UFO sightings were leaving his friends and family exhausted and frightened.

"There is no doubt that I am at war" with the UFOs, Reich wrote hours after four bright pulsating lights hovered for hours over Orgonon, his research facility in rural Maine. "What seemed only a possibility one year ago is certainty now."

The UFOs had been menacing Orgonon since Reich began experiments with super-charging his "cloudbuster" weather-control device with small amounts of radioactive material. Reich had learned in May that the cloudbuster not only apparently pulled rain out of clouds, but also drained energy from lights in the sky, making it, in his words, a "spacegun" effective against UFOs.

Like the cloudbuster, the Austrian psychiatrist turned "natural scientist" was convinced, UFOs operated on orgone, an ambient energy source that interacts with life and organic matter. Reich's claims to the contrary, the FDA had determined that orgone did not exist, and so had obtained an injunction against any medical treatment purporting to effect cures through orgone manipulation.

However, Reich stayed devoted to the reality of his discovery. He trained the "spacegun" on two aerial objects as they hovered ominously over Orgonon, causing both to retreat. One "disappeared after weakening, waning and blinking, leading Reich to conclude triumphantly that "tonight, for the first time in the history of man, the war waged for ages by living beings from outer space upon this Earth . . . was reciprocated."

As above, so below. On that same day, Reich informed the authorities in Portland that he would resume his orgone-oriented publishing efforts. This defiance would lead to his death in prison less than three years later.

Reich, convinced that the aliens were waging their "war" against Earth by poisoning its orgone, creating deserts, decided to test his spacegun in the drought-wracked wastes north of Tucson, AZ. According to his final book, *Contact With Space*, it had not rained in Tucson for 5 years, making the desert a perfect proving ground for both the cloudbuster's rainmaking and UFO-weakening abilities.

Meanwhile, in order to share his findings with the Air Force, Reich sent his assistant William Moise ahead to Wright-Patterson Air Force Base in Dayton, Ohio. As Reich bitterly noted, Orgonon "had received no direct help from the Air Force, financial or otherwise," but he remained eager to keep the military posted on the extraterrestrial-combat uses of orgone.

Moise, however, got a guarded reception at Wright-Patterson. General Harold Watson, chief of Air Force Intelligence, had initially seemed eager to speak with Moise about Reich's claim to have "disabled" two UFOs, even insisting that Moise could arrive late in the day and the two men could "continue the conference after supper."

Travelling cross-country, Moise was concerned that accidental factors could get in the way of the meeting and confirmed his appointment with Watson twice. Still, by the time he got to Dayton, Watson was unavailable due to "unexpected important business."

Instead, a "Dr. W. H. Byers" and Harry Haberer greeted Moise at the base. Moise hated Byers on first sight, calling him "a man with a flabby handshake and eyes that don't look at you." As Watson had expressed concern that a group from the CIA would be visiting that week, it is a tantalizing possibility that Byers was a member of that delegation. Haberer, meanwhile, is known to UFO research as "a crack Air Force public relations man."

Moise refused to talk to the two men and instead waited until the next day, when he briefed the base's deputy commander, who reportedly became "excited" by the revelation of a weapon against UFOs. Haberer and Byers were apparently less impressed, but took notes.

According to Reich, the Air Force continued its tacit interest in his work, sending numerous jets to fly by his cloudbusting experiments but making no overt gestures because the spacegun was "hot because it wasn't official, and the reason it wasn't official was because it was so hot."

When his group arrived in Tucson from heavily-wooded Maine on October 19, they were shocked by the Arizona desert, which was apparently much more severe than it is today. "We were impressed by the bare ground, giving a general impression of whiteness, hardness," Reich wrote. "The river beds had all been dry for about 50 years . . . no prairie grass was to be seen anywhere."

Over the next few weeks, the party – composed of Reich, his daughter Eva and son Peter, Moise and another assistant – suffered almost immediately from dehydration, exhaustion and general discomfort, all of which they attributed to poisonous "deadly orgone radiation." However, harassment from UFOs was sporadic but persistent, leading Reich to theorize that the "thirsty" aerial phenomena were actively fighting his rainmaking efforts.

The researchers fought back throughout November, apparently encouraging a rich growth of winter prairie grass but no rain. Transportation difficulties had forced Reich to leave his supply of radioactive material behind at Orgonon, leaving the cloudbusters at a sharp disadvantage against the UFOs. Without the radioactive charge, Reich's team could only annoy the lights in the sky but not hinder their inscrutable activity in any real sense.

Meanwhile, the UFOs kept making the researchers miserable. One of Reich's assistants suffered a "breakdown" while training his cloudbuster on the sky, forcing him to return to his family for a month of recuperation. In his absence, Reich speculated that the man had drawn too much poisonous orgone from a lurking alien object.

By December 7, Reich decided it was time to strengthen his hand by sending for his radioactive hole card, two radium needles charged with orgone. After a plane trip marked by misadventure and bad weather, the needles arrived a week later.

Once Reich had his radium, he was ready to retake the offensive against the UFOs and the desert simultaneously. "On December 14, about 16:30 hours, a full-scale interplanetary battle came off," he wrote. "A battle which would have appeared incredible as well as incomprehensible to anyone who knew nothing about the (UFO) problems or who adhered to the illusion" that neither UFOs nor orgone existed.

First, the Orgonon team had to shake off "a special kind of deadly orgone attack" that left them "in very bad shape . . . sick . . . dulled, somehow out of balance." A "tremendous black cloud, looking like smoke from a huge fire" grew over Tucson, eventually taking on an angry reddish-purple coloration and triggering readings of 100,000 counts per minute on Reich's geiger counter. All of the researchers "suffered from nausea, quivering, pain in the upper abdomen and discoloration of movements," while "about a dozen Air Force planes of various kinds" flew over the team's camp.

Matters of orgone, beneficial or poisonous, aside, Reich's description of the event is reminiscent of a nuclear bomb test: a strong military presence, radiation, smoke, queasiness. However, it is unlikely that the government would set off a bomb apparently targeted directly on Tucson, a thriving regional center of commerce.

Reich brought his radium needles into contact with the cloudbusters and started firing away at the cloud to dissipate its power. The operation took about 20 minutes, at which time the cloud had broken up and the geiger count returned to normal.

It rained three weeks later. In the meantime, Reich's journal is filled with dozens of UFO sightings – "red-white-blue pulsations," "yellow pulsations," "silvery disks," "green-yellow steady" – on which to train his spacegun sights. Most "grew fainter," were "extinguished" or "blinked out." The grass covering the desert grew to a height of "several inches to a foot deep," encouraging local ranchers to drive cattle into the region in herds.

After a brief side trip to Jacumba, CA, the team headed home to Maine at the end of April, 1955. "Our job in Arizona was done," Reich said.

He was dead 18 months later, and all available copies of his books were burned by court order. Only a few copies survived, forcing his scattered disciples to rely on private printings of his works – including *Contact in Space* – for direction.

<http://keelynet.com/tornado/reichcb1.htm>

The Acoustic Function of a Reich Cloudbuster

by

Chuck Henderson

For more than twenty-five years I have studied and researched the work and legacy of Dr. Wilhelm Reich. While most who are familiar with his work tend to utilize his discoveries in the fields of either mental or physical health, I have chosen to study the applications of Reich's discoveries in the area of physics, or what Reich termed as: "Orgone Bio-Physics".

Whether you call it Orgone Energy, as Reich did, or Aether, Odic Force, Chi (Ki), etc., the fact remains that this primordial life energy does exist. It can be and has been measured, captured, manipulated, concentrated, and redirected by Reich as well as many others over the years.

With the invention of the Cloudbuster, Reich had a tool that would enable him to massage a stagnant, what he termed "DORish" atmosphere (DOR = Destructive ORgone), into a vibrant, healthy atmosphere by reinstating the normal rain cycle in areas that were suffering from drought conditions.

The question that constantly plagued me was, HOW? How did this very simple device induce an energetic flow without some sort of complex mechanism?

I must admit that, for a while, my research seemed to have hit a deadend. I needed a new, more unconventional approach to help me find the missing pieces of the puzzle. In the early 1980's, with the advent of Vanguard Sciences and then KeelyNet, I began finding several of those missing pieces as what some would call "synchronicity" came into play.

My exposure to the works of Keely, Tesla, Rife, and many others helped me to look at my questions from other points of view. While it should not come as a complete surprise, this will not be an article detailing all of the construction or operating techniques for Reich's Cloudbuster. Some detail is necessary in order to lay the foundation for my theory, through which, I feel that I can finally answer the "How" question with some clarity.

After receiving independent confirmation of what I had long suspected, I feel that it is time to put forward my theory that Dr. Wilhelm Reich's Cloudbuster is an acoustic device operating within a range of frequencies well below human hearing, operating in the Infrasonic or ELF (Extra Low Frequency) range.

In the numerous writings of Reich, there are many indicators pointing to this possibility, beginning with the observations that lead to the development of the Cloudbuster. Due to a DOR (Deadly Orgone Energy) emergency at Orgonon (Reich's research facility at Rangeley, Maine) in March of 1952, which quickly worsened in April, Reich was forced to recall some nearly forgotten observations which enabled him to disperse the oppressive DOR concentrations that were smothering his facility and the surrounding area.

Reich writes:

"Far back in 1940, when the atmospheric OR energy had been seen for the first time at Mooselookmeguntic Lake in the Rangeley region through long metal pipes, casual pointing of some pipes at the surface of the lake seemed to affect the movement of the waves.

This appeared quite incredible at that early period of OR research; the matter was abandoned and soon forgotten. However, the incredible effect of the metal pipes upon the energy motion such as waves, seemed to have lingered on in my mind over all these dozen years" - (1)

The length of pipe picks up a specific acoustic wavelength or frequency, determined by the overall length and inside diameter of the pipe, and then by filtering out other frequencies, boosts or amplifies the pressure of the acoustic wave emanating from the opposite end of the pipe. Reich continues:

"When the suffering from the DOR became unbearable at Orgonon late in April, a few metal pipes, 9 to 12 feet long and 1 1/2 inch in diameter, were directed toward the black DOR concentrations overhead, and connected through BX cables to a deep well." - (2)

This is a key bit of information as it provides us with the ability to calculate the Base frequencies that Reich used to develop and operate his Cloudbuster. Let's say he started with four pipes:

9 ft X 1 1/4 in. I.D. (1 1/2 in. O.D.) = ___?___ Hz

10 ft X 1 1/4 in. I.D. (1 1/2 in. O.D.) = ___?___ Hz

11 ft X 1 1/4 in. I.D. (1 1/2 in. O.D.) = ___?___ Hz

12 ft X 1 1/4 in. I.D. (1 1/2 in. O.D.) = ___?___ Hz

By using the formulas that are used in calculating the sounds generated by the individual pipes of a pipe organ, it is possible to calculate the corresponding frequency for each length of pipe that Reich used in his initial experiment.

This also provides the basis for the calculation of the frequencies and harmonics involved in the operation of a full-blown Cloudbuster as developed by Reich in the fall of 1952. Again, Reich continues:

"The effect was instantaneous: The black DOR-clouds began to shrink. And when the pipes were pointed against the OR energy flow, i.e., toward the west, a breeze west to east would set in after a few minutes "DRAW," as we came to call this operation; fresh blue-gray OR energy moved in where the nauseating DOR-clouds had been a short while before.

Soon we learned that rain clouds, too, could be influenced, increased and diminished as well as moved, by operating these pipes in certain well-defined ways." - (3)

The existing photos that I have seen show that the tubes were staggered in length when extended for an OROP (ORgone OPeration utilizing a Cloudbuster).

This leads me to the conclusion that the Cloudbuster is a tunable acoustic antenna.

Tunable to achieve the desired results, taking into account the specific characteristics of the atmosphere at a given location, also taking into consideration the dynamics of the atmosphere as it interacts with the surrounding terrain. (see Appendix A)

You may be asking yourself, what has caused me to draw these conclusions from Reich's writings as sited above?

Well, my initial suspicions were caused by the recollection of a simple science project that I undertook as a teen in the 1960's. Using the plans that I had found in an issue of either "Popular Mechanics" or "Popular Science" magazine, I built a very simple (by today's standards) parabolic microphone.

As I recall, this scratch-built parabolic microphone was made from several varying lengths of copper tubing, a small metal salad bowl, a small (crystal?) microphone like those used for the small reel to reel type portable tape recorders, and a 6" piece of wooden broom handle.

The copper tubing was cut in lengths ranging from approximately 18" to 2' 6" in length. Each specific length corresponded to a specific frequency. The microphone was mounted with some stiff wire approximately 1" below the lip of the metal bowl (at the focal point of the reflected sound) and the piece of broom handle was attached to the outside of the bowl with a screw to serve as a handle.

With the numerous pieces of tubing bundled together, one end of the bundle having all ends of the tubing flush or even, the even end was then covered with the bowl and the bowl fastened into place. (see appendix A)

Here as you can see by my rough illustration, the parabolic microphone that I built was very simple. The crystal microphone that I used in it's construction was relatively insensitive when compared to the miniaturized, omni-directional microphones we have available today. But, due to the frequency limitations established by the specific lengths of the tubing used, effectively filtering out the background noise, and the focusing effect of the metal bowl, the microphone was good for a range of 200+ yards.

Now, as to the independent confirmation that I mentioned earlier, this came in the form of a national news story that I was compelled to follow-up on. It seems that in 1995, Professor Al Bedard of N.O.A.A.'s Environmental Research Lab discovered that tornadoes have an acoustic signature.

A signature that can consist of several separate frequencies as well as their related harmonics, all in the sub-audible range below 20 Hz. There is a direct link to the

size and intensity of a tornado and the sounds it emits.

It has also been discovered that that a powerful tornado may contain within it, as many as six smaller tornadoes. Professor Bedard and his associates are working on a system to detect tornadoes that would provide up to 30 minutes warning to all those who find themselves in a tornado's path.

Professor Bedard is no stranger to the inner workings of tornadoes. He created "TOTO" (the "TObtable Tornado Observatory"), in 1982 to study live tornadoes. TOTO is able to measure the temperature, velocity, atmospheric pressure, and electricity of a tornado. The device called "Dorothy" in the movie "Twister" bears a striking resemblance to Bedard's TOTO.

In the movie, the fictional Dorothy releases hundreds of little sensor-filled spheres, whereas Bedard's instrument package - TOTO, stays on the ground.

I believe that Bedard's discovery of an acoustic signature for any given tornado, combined with a Cloudbuster functioning as a tunable acoustic antenna, ties directly into Reich's second rule of his "Rules to Follow in Cloud Engineering" where Reich states:

"Never play around with rain making or cloudbusting. The OR envelope which you tackle while "drawing" energy from the atmosphere is an energetic continuum of high power. You may cause twisters.".....(4)

Even as I write this I have to ponder: WHY?!

There is no physical mechanism to induce an energetic flow other than acoustic. What aspect of a Cloudbuster allows it to attract and concentrate OR (Orgone energy) more than say, a body of water, given that water attracts and holds OR?

Again, I must say acoustics - tunable acoustics.

For a moment, let us look at Trevor Constable's "Weather Guns". Constable developed these devices after years of experimentation with Reich's Cloudbuster design. Constable's "Weather Guns" do not require grounding in water as Reich's Cloudbuster does, but it is required that they be in motion and in pairs to operate optimally (Please do not confuse his "Weather Guns" with his "Spiders").

Constable's Weather Guns must be paired to achieve the desired harmonic to create the desired effect.

Individually, a single Weather Gun produces only 1/2 the wavelength (or 1/2 an Octave) and must be paired to produce the full wavelength (or full Octave) that a single tube from a Reich Cloudbuster can produce. (Again, see Appendix A)

It should also be noted that while both appear to be acoustic devices, both function in different ways. Constable's Weather Guns operate somewhat like a snowplow moving down a road. They concentrate the atmosphere's OR and moisture into a rolling waveform moving along ahead of the moving devices until it reaches a sufficient concentration to precipitate out of the atmosphere in the form of rain.

Then the concentration process will begin again, if the devices remain in motion. Constable's video (available through Borderland Sciences Research Foundation) showing his ocean-going Weather Gun demonstration through time-lapse photography, is a good example of this principle as he causes it to rain over and over again ahead of his moving vessel.

While Constable's Weather Guns create a "Push" effect in the atmosphere, Reich's Cloudbuster creates an energetic "Draw" (or Pull) in the atmosphere. Reich's CB (CB = Cloudbuster) draws the beneficial OR frequencies down to ground level, whereas Constable's WGs (WG = Weather Gun) seem to operate on the energies of the atmosphere at an elevation of from 4,000 to 5,000 feet and above.

The Earth's atmosphere is as stratified as the ground beneath your feet, so the affects of certain frequencies manifesting at certain elevations of the atmosphere is not unusual. The ability of Reich's CB to draw this energy to ground, I believe, is a primary factor in the successful remedy of drought conditions and long-term desert abatement.

<http://images.marukuwato.multiply.multiplycontent.com/attachment/0/RjrOCgoKCrQAAHKDOMQ1/Cosmic%20Orgone%20Engineering%20REICH.pdf/nmid=40980871>

Wilhelm Reich : *Cosmic Orgone Engineering*
[[PDF, 1.6 MB](#)]



Your Support Maintains this Service --

BUY

The Rex Research Civilization Kit

**... It's Your Best Bet & Investment in Sustainable Humanity on Earth ...
Ensure & Enhance Your Survival & Genome Transmission ...
Everything @ rexresearch.com on a Thumb Drive or Download !**

[ORDER PAGE](#)